

WT 15

Reservdelar

Spare parts

Ersatzteile

Pieces de rechange

Piezas de repuesto

Ricambi

Peças sobresselente

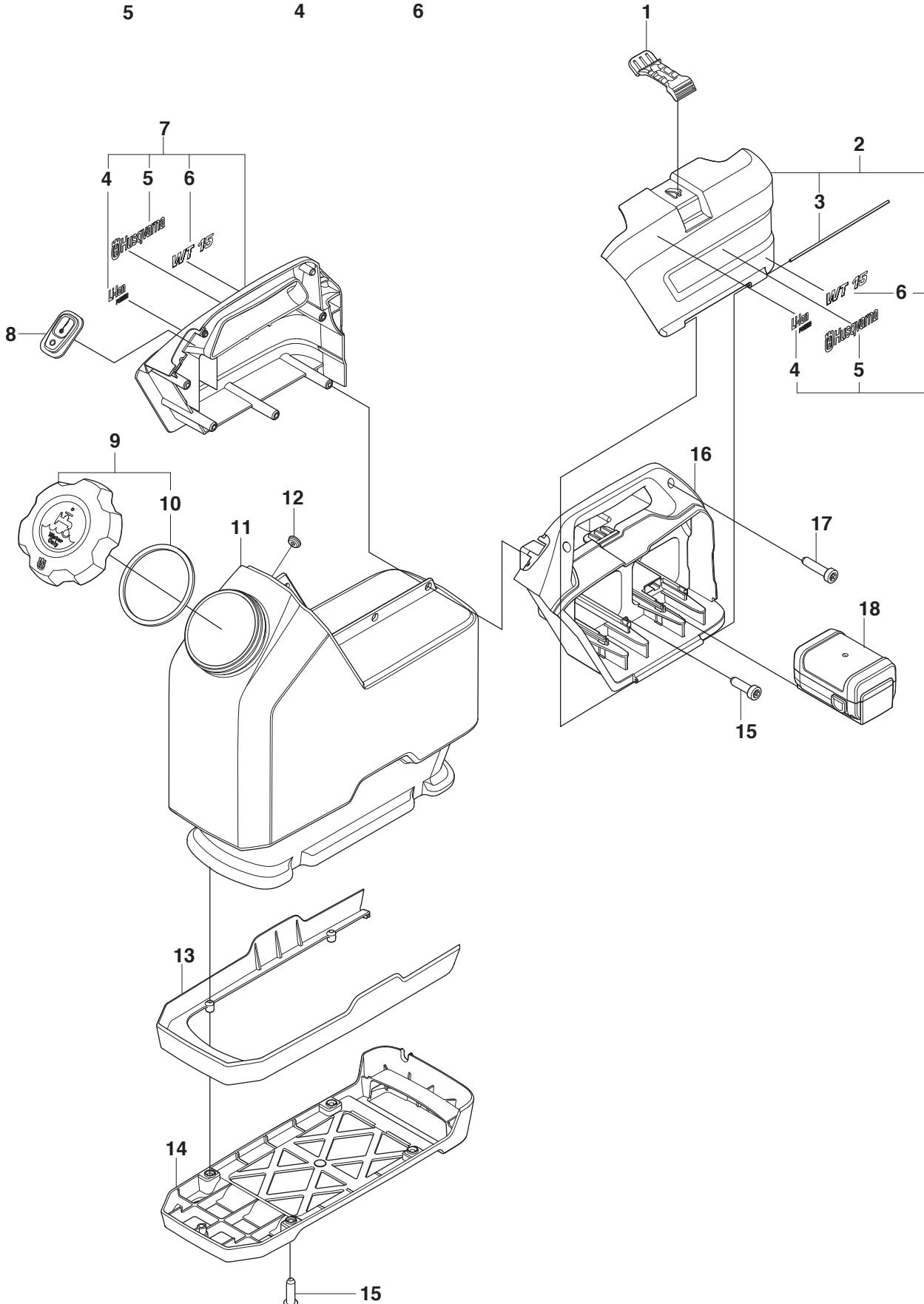
No.	Pos.	Description	No.	Pos.	Description
503 21 54-20	A	SCREW			
503 26 60-03	B	COUPLER			
504 90 94-25	A	SCREW			
505 14 23-01	A	HANDLE			
505 14 27-01	A	COVER			
505 14 28-01	B	CHARGER			
505 14 28-02	B	CHARGER			
505 14 28-03	B	CHARGER			
505 14 28-04	B	CHARGER			
505 14 28-05	B	CHARGER			
505 14 30-01	A	BUCKLE			
505 14 31-01	A	BATTERY			
505 14 32-01	A	BASE			
505 14 33-01	A	BASE			
505 14 37-01	B	BRACKET			
505 14 38-01	B	HOSE COUPLING			
510 24 27-01	A	O-RING			
510 24 29-01	B	O-RING			
510 24 30-01	B	NIPPLE			
510 24 32-01	B	NIPPLE			
516 04 31-01	B	SPRING			
522 44 69-01	A	SHAFT			
522 53 58-01	A	GROMMET			
522 67 31-01	B	SPRAY NOZZLE			
522 94 16-01	A	LID			
522 94 17-01	A	HANDLE			
522 94 18-01	A	CAP			
522 98 00-01	A	LABEL			
525 40 62-02	B	HOSE			
544 93 31-01	A	LABEL			
576 63 72-01	A	WATER TANK			
577 06 41-01	B	HOSE			
577 06 43-01	B	CIRCUIT BOARD ASSY			
577 06 45-01	A	DECAL			
577 06 52-01	B	PUMP			

A WT15

 Husqvarna

Li-Ion
POWER

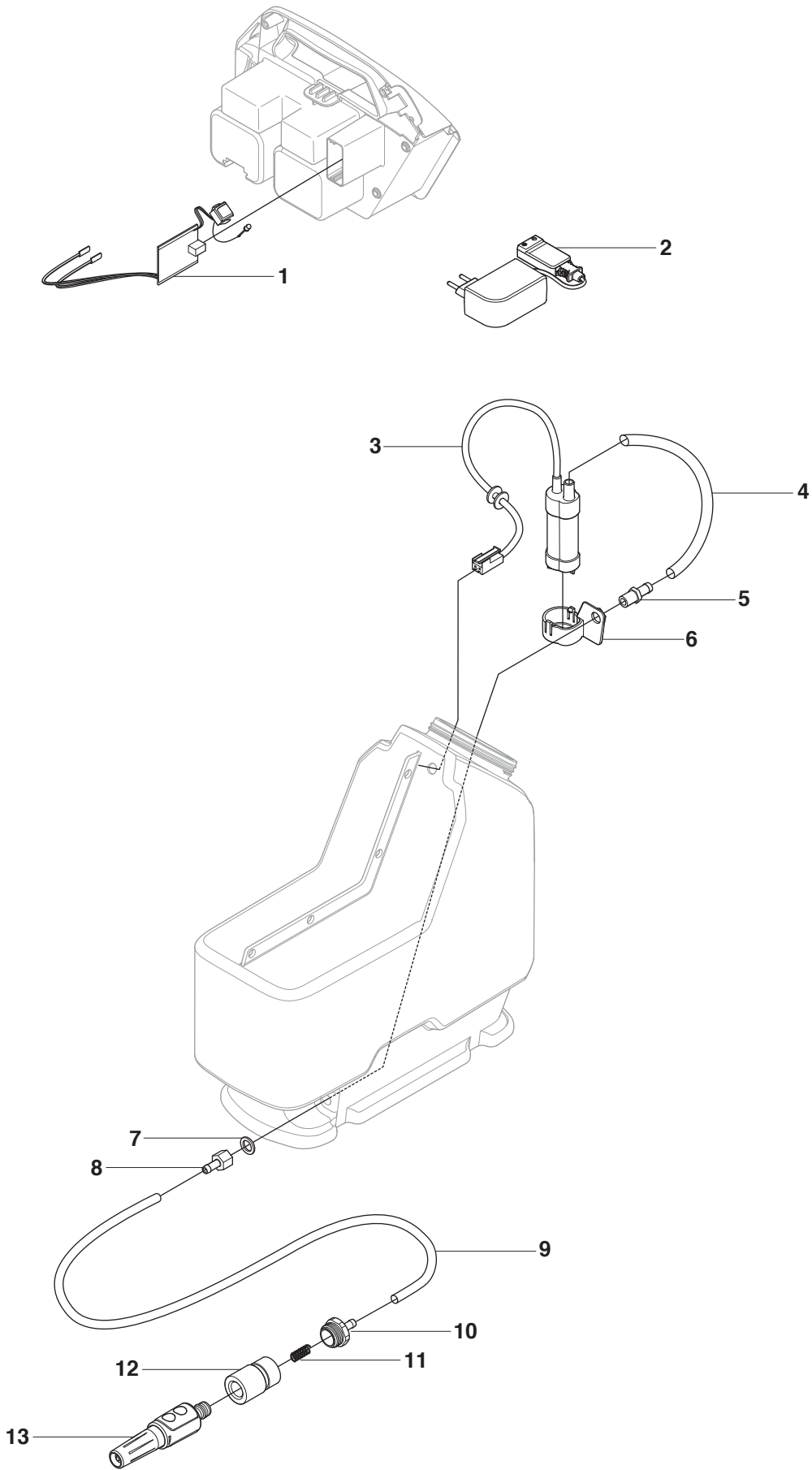
WT 15



Page A
WT15

Pos.	Part No.	Description	Quantity	Notes	New Part
1	505 14 30-01	BUCKLE	1		
2	522 94 16-01	LID	1	Incl. 3 - 6	
3	522 44 69-01	SHAFT	1		
4	522 98 00-01	LABEL	1		
5	544 93 31-01	LABEL	1		
6	577 06 45-01	DECAL	1		
7	522 94 17-01	HANDLE	1	Incl. 4 - 6	
8	505 14 27-01	COVER	1		
9	522 94 18-01	CAP	1	Incl. 10	
10	510 24 27-01	O-RING	1		
11	576 63 72-01	WATER TANK	1		
12	522 53 58-01	GROMMET	1		
13	505 14 32-01	BASE	1		
14	505 14 33-01	BASE	1		
15	503 21 54-20	SCREW	10		
16	505 14 23-01	HANDLE	1		
17	504 90 94-25	SCREW	2		
18	505 14 31-01	BATTERY	1		

B WT15



Page B
WT15

Pos.	Part No.	Description	Quantity	Notes	New Part
1	577 06 43-01	CIRCUIT BOARD ASSY	1		
2	505 14 28-01	CHARGER	1	EU	
2	505 14 28-02	CHARGER	1	USA	
2	505 14 28-03	CHARGER	1	AUS	
2	505 14 28-04	CHARGER	1	UK	
2	505 14 28-05	CHARGER	1	JAPAN	
3	577 06 52-01	PUMP	1		
4	577 06 41-01	HOSE	1	0,35m	
5	510 24 30-01	NIPPLE	1		
6	505 14 37-01	BRACKET	1		
7	510 24 29-01	O-RING	1		
8	510 24 32-01	NIPPLE	1		
9	525 40 62-02	HOSE	1	3,2m	
10	505 14 38-01	HOSE COUPLING	1		
11	516 04 31-01	SPRING	1		
12	503 26 60-03	COUPLER	1		
13	522 67 31-01	SPRAY NOZZLE	1		