

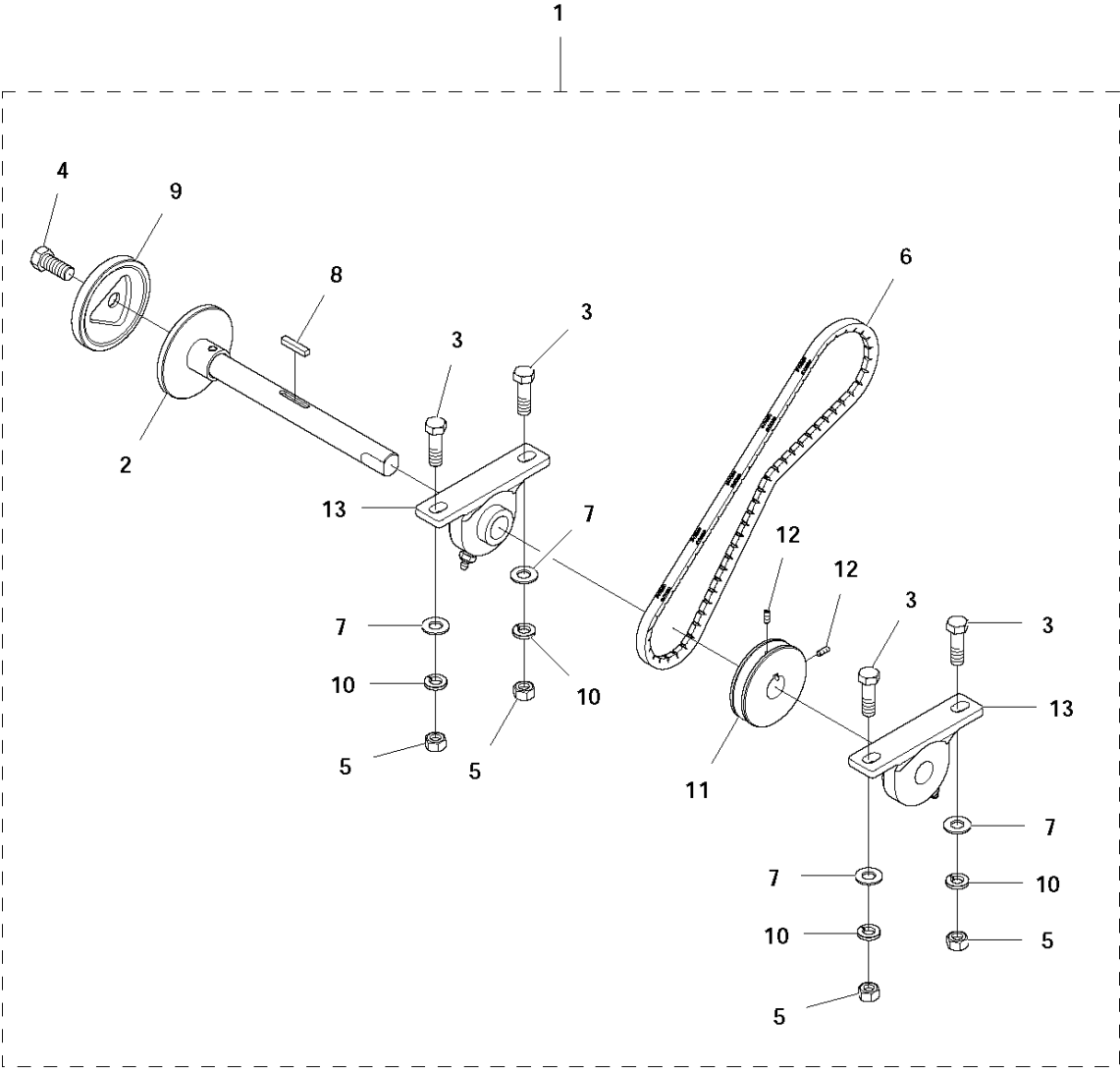


# SPARE PARTS LIST

## EARLY ENTRY SAWS

Soff-Cut 150, Valid from machine 2010  
3000001, 2010-10

**B** Soff-Cut 150  
BLADE SHAFT ASSEMBLY

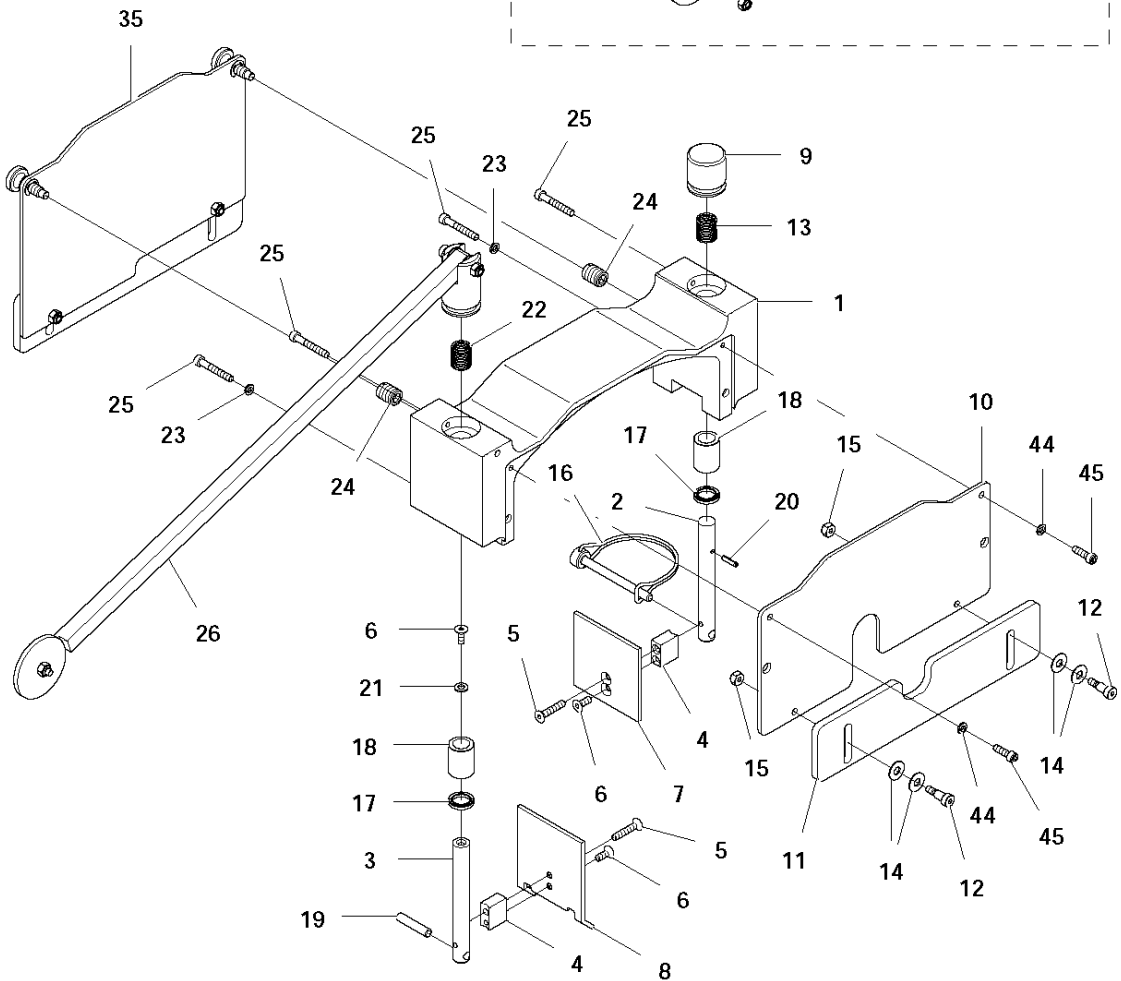
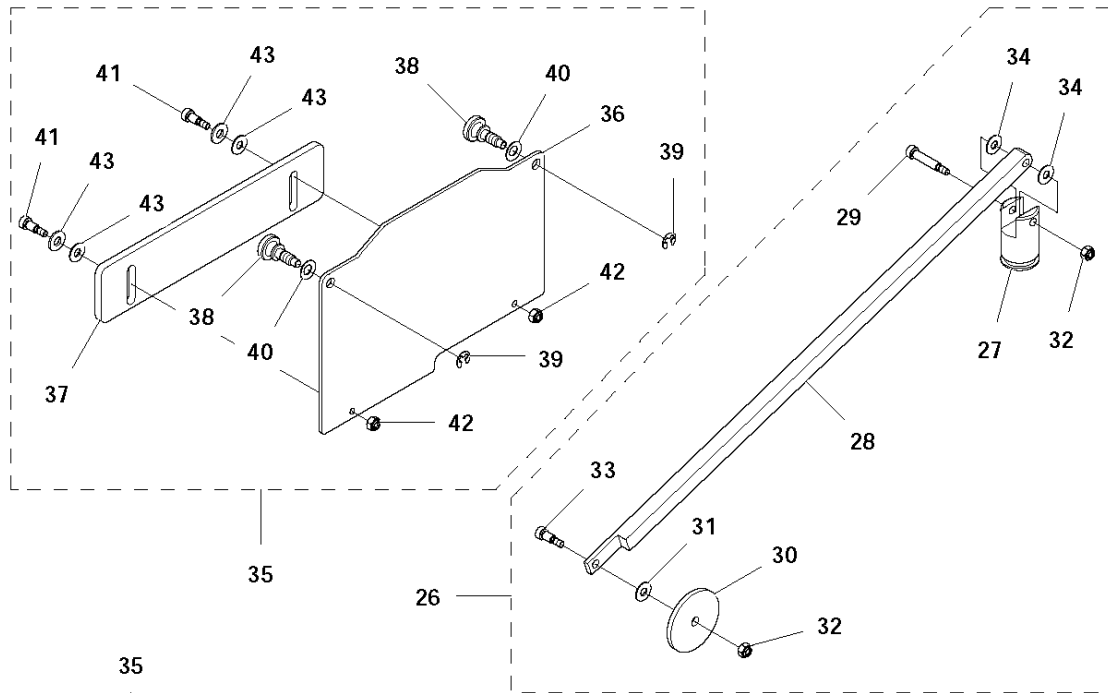


## BLADE ARM

Soff-Cut 150, Valid from machine 2010 3000001, 2010-10

Ref	Part No	Description	Remark	QTY	KIT
1	510 27 22-11	ASSEMBLY		1	
2	505 58 84-01	BLADE SHAFT		1	1
3	505 72 76-01	HEX BOLT 3/8-16X1 1/4 CAD GR 5		4	1
4	505 57 34-01	BOLT		1	1
5	505 73 21-01	NUT		4	1
6	505 59 21-01	BELT. BLADE 3VX280		1	1
7	505 72 46-01	FLAT WASH 3/8 STL CAD		4	1
8	510 31 73-01	KEY		1	1
9	505 49 15-02	WASHER		1	1
10	505 73 10-01	LK WASH 3/8 SPLIT SS		4	1
11	505 59 32-01	1/3V265JA SHEAVE		1	1
12	505 63 01-01	SET SCREW S.S. 10-32 X 1/2		2	1
13	505 59 20-01	BLADE SHAFT BEARINGS FOR X150		2	1

**D** Soff-Cut 150  
BLADE BLOCK ASSEMBLY

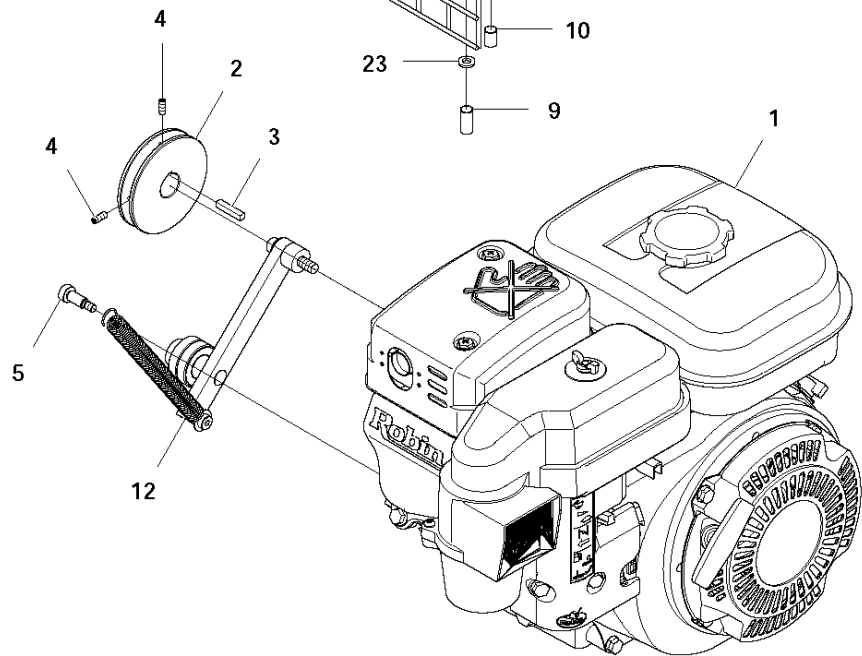
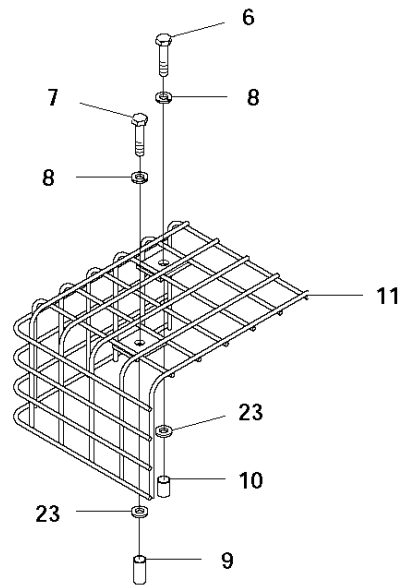
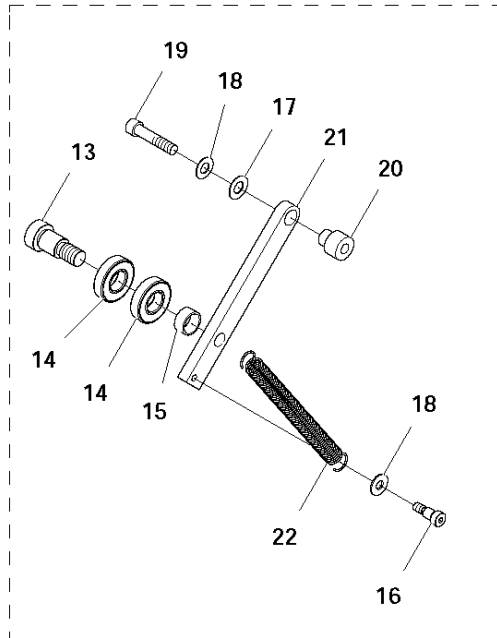


## BLADE BLOCK

Soff-Cut 150, Valid from machine 2010 3000001, 2010-10

Ref	Part No	Description	Remark	QTY	KIT
1	505 58 78-01	BLADE BLOCK		1	
2	505 58 85-01	REAR SHAFT. B.B.		1	
3	505 58 82-01	FRONT SHAFT. B.B.		1	
4	505 58 88-01	SPACER		2	
5	505 73 00-01	FHS 10-32-1 S.S.		2	
6	505 72 99-01	FHS 10-32-1/2 S.S.		3	
7	505 58 77-01	REAR DIVERTER		1	
8	510 33 77-01	PLATE		1	
9	505 58 86-01	CAP BLD. BLOCK SHAFT		1	
10	505 58 76-01	REAR COVER. B.B. NEW		1	
11	505 58 79-01	LEXAN. INNER		1	
12	505 68 64-01	SHSB 1/4 X 3/8 BLK STL		2	
13	505 59 30-01	SPRING		1	
14	505 63 44-01	FLAT WASHER .600 X .253 X .040		4	
15	505 63 04-01	NYLOC NUT #10-24 CAD.PL.		2	
16	505 77 54-01	SNAPPER PIN 1/4 X 2 1/2		1	
17	505 59 35-01	DUST SEAL X150		2	
18	505 59 34-01	BRONZE BUSHING X150 B.B.		2	
19	505 77 40-01	PRECISION DOW PIN 1/4 X 1 1/4		1	
20	505 59 27-01	ROLL PIN 1/8" X 9/16"		1	
21	734 11 47-41	WASHER		1	
22	505 59 31-01	SPRING		1	
23	505 63 31-01	LK WASH #10 SPLIT SS		2	
24	505 74 83-01	THREADED INSERT S.S.		2	
25	505 59 14-01	SHC 10-32X1 1/4 S.S.		4	
26	505 87 63-01	GUIDE ARM. X150		1	
27	505 58 87-01	FRONT CAP BLD. BLOCK SHAFT		1	26
28	505 57 30-01	ARM		1	26
29	505 72 59-01	SHSB 1/4 X 1 BLK STL		1	26
30	505 61 42-01	G.M.WHEEL (YEL)		1	26
31	505 63 44-01	FLAT WASHER .600 X .253 X .040		1	26
32	505 63 04-01	NYLOC NUT #10-24 CAD.PL.		2	26
33	505 68 64-01	SHSB 1/4 X 3/8 BLK STL		1	26
34	505 63 20-01	FLAT WASHER 1/4 X .062 AN960C4		2	26
35	574 23 49-11	ASSEMBLY		1	
36	505 58 74-01	FRONT COVER. B.B.		1	35
37	505 58 80-01	LEXAN. OUTER		1	35
38	505 53 63-01	KNOB		2	35
39	505 53 65-01	E-CLIP		2	35
40	505 53 64-01	WASHER		2	35
41	505 68 64-01	SHSB 1/4 X 3/8 BLK STL		2	35
42	505 63 04-01	NYLOC NUT #10-24 CAD.PL.		2	35
43	505 63 44-01	FLAT WASHER .600 X .253 X .040		4	35
44	505 63 31-01	LK WASH #10 SPLIT SS		2	
45	505 72 97-01	SHC 10-32 X 5/8 S.S.		2	

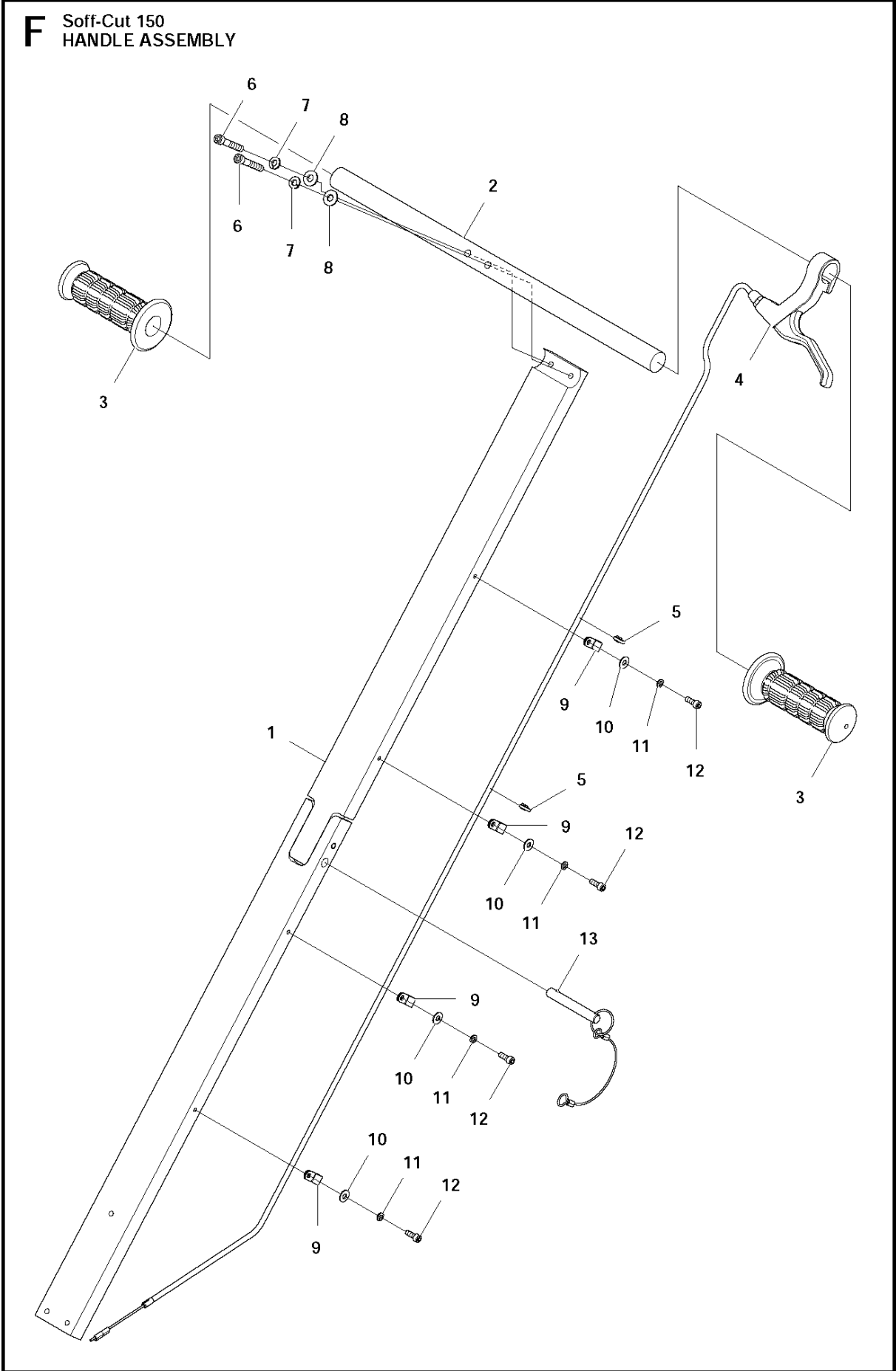
**A** Soff-Cut 150  
ENGINE ASSEMBLY



## ENGINE

Soff-Cut 150, Valid from machine 2010 3000001, 2010-10

Ref	Part No	Description	Remark	QTY	KIT
1	505 59 39-01	X150 ENGINE		1	
2	505 59 33-01	1/3V315JA SHEAVE		1	
3	510 31 73-01	KEY		1	
4	505 63 01-01	SET SCREW S.S. 10-32 X 1/2		2	
5	505 59 15-01	SHSB M8 X 16		1	
6	725 23 74-71	SCREW EHHM		1	
7	725 23 76-71	SCREW EHHM		1	
8	505 63 28-01	LK WASH 1/4 SPLIT SS		2	
9	505 68 44-01	3/8 O.D. X .770 LONG X .028 WA		1	
10	510 34 61-01	SPACER. 5/16" ID X .500" L		1	
11	505 84 16-01	MUFFLER GUARD		1	
12	510 27 17-11	ASSEMBLY		1	
13	505 72 62-01	SHSB 5/8 X 3/4 BLK STL		1	12
14	505 73 60-01	IDLER PULLEYS BLK SEAL SGL LIP		2	12
15	505 71 46-02	SPACER		1	12
16	505 72 65-01	SHSB 5/16 X 3/8 BLK STL		1	12
17	505 63 45-01	FLAT WSHR .750X.379 X.031 DEL		1	12
18	505 72 52-01	.625 X .312 X .032 SS WASHER F		2	12
19	505 59 19-01	SHC 5/16-24 X 1 1/2 S.S.		1	12
20	505 58 90-01	SPACER		1	12
21	505 58 73-01	IDLER ARM		1	12
22	505 73 79-01	SPRING		1	12
23	505 63 20-01	FLAT WASHER 1/4 X .062 AN960C4		2	



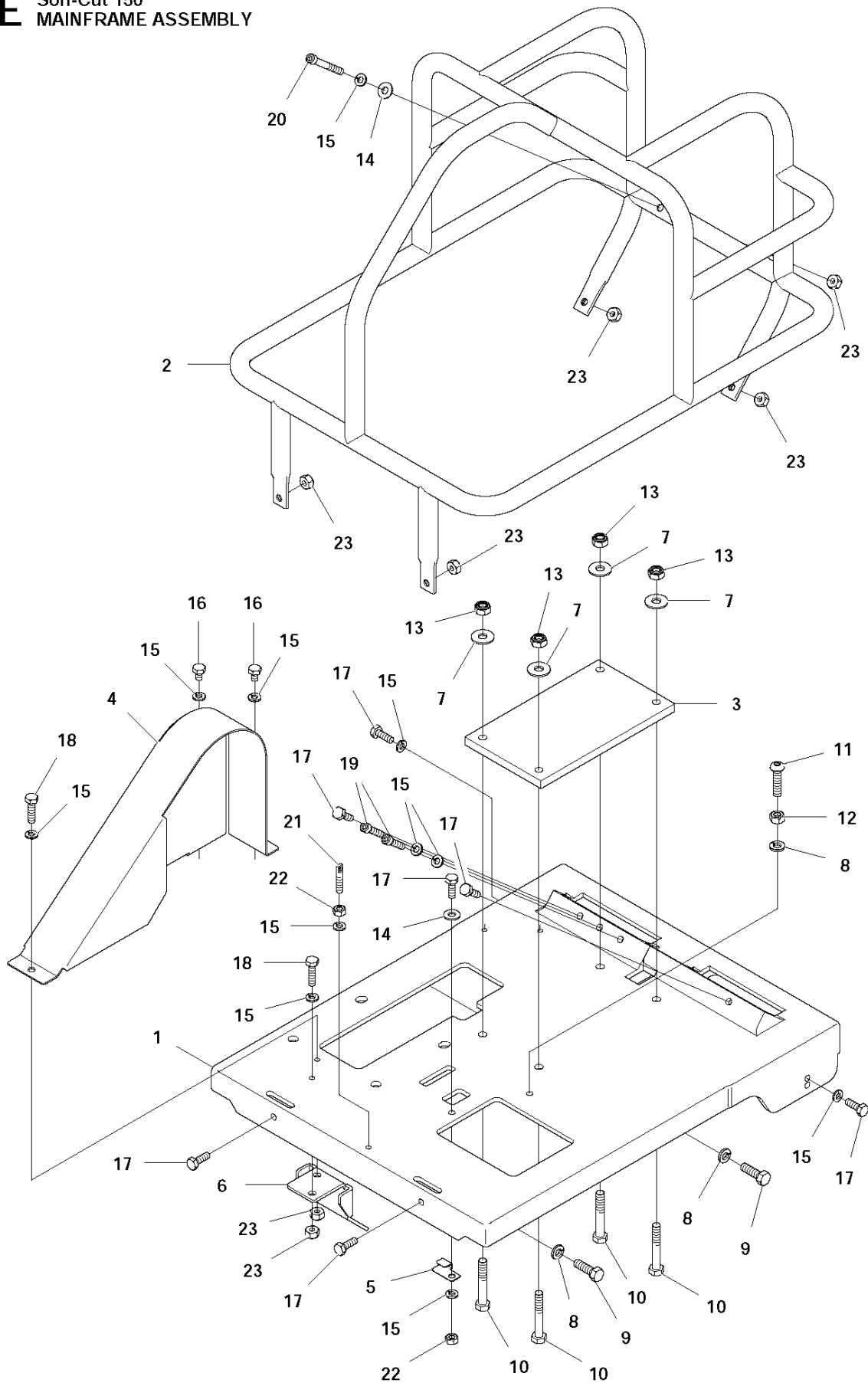


## HANDLE

Soff-Cut 150, Valid from machine 2010 3000001, 2010-10

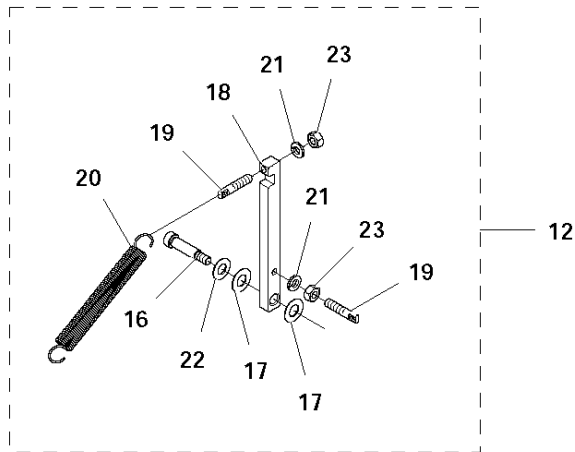
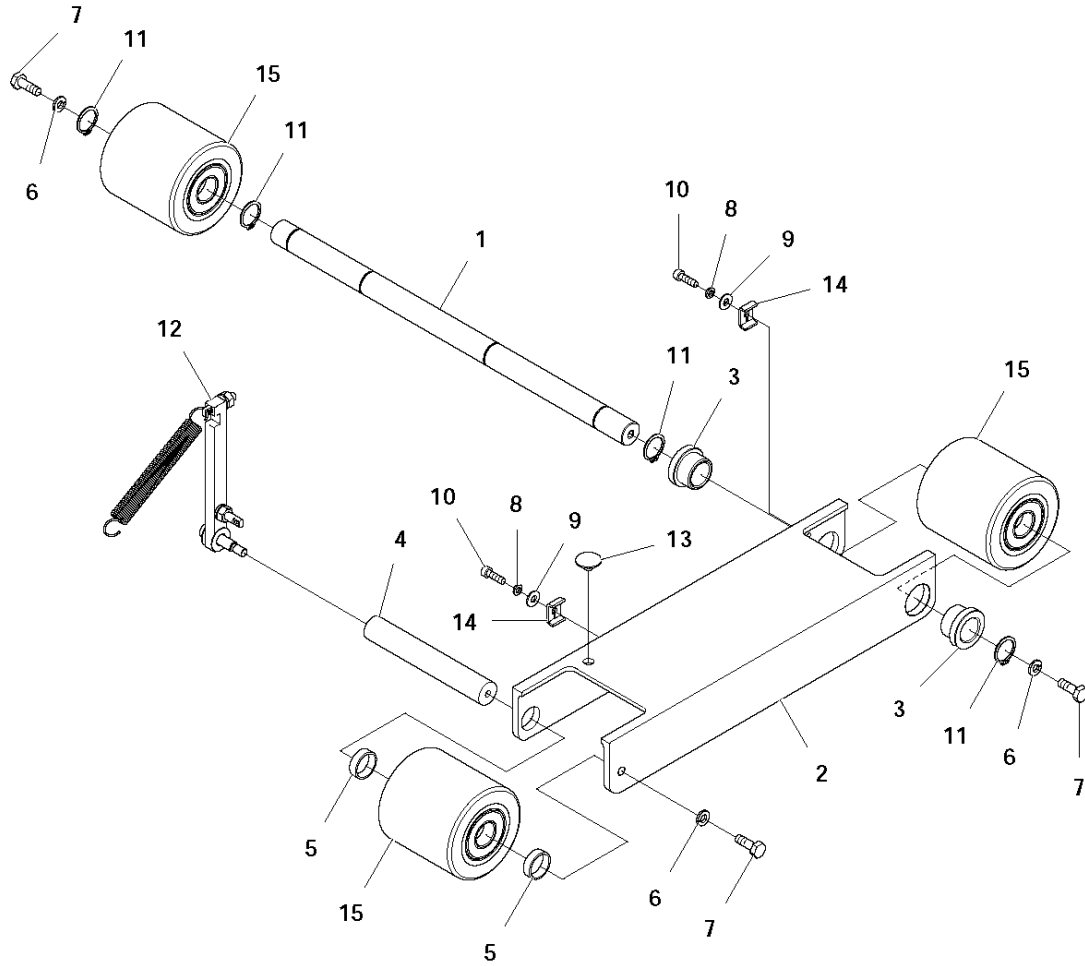
Ref	Part No	Description	Remark	QTY KIT
1	505 87 58-01	X150 HANDLES UPPER/LOWER		1
2	505 58 83-01	HANDLE TUBE		1
3	505 60 11-01	HANDLE GRIP		2
4	505 48 27-01	CABLE		1
5	510 33 17-01	TIE WRAP		2
6	505 72 88-01	SHC 1/4-20-1 1/2 S.S.		2
7	505 63 28-01	LK WASH 1/4 SPLIT SS		2
8	505 63 20-01	FLAT WASHER 1/4 X .062 AN960C4		2
9	587 05 74-01	CABLE CLAMP		4
10	505 63 53-01	FLAT WASH #10 S.S		4
11	505 63 31-01	LK WASH #10 SPLIT SS		4
12	505 72 97-01	SHC 10-32 X 5/8 S.S.		4
13	574 71 98-01	KIT		1

**E** Soff-Cut 150  
MAINFRAME ASSEMBLY



Ref	Part No	Description	Remark	QTY KIT
1	505 58 65-01	BOTTOM PLATE		1
2	505 58 66-01	ROLL CAGE		1
3	505 65 54-01	MOTOR BUSHING		1
4	505 60 13-01	BELT GUARD		1
5	505 59 10-01	CLIP. BLADE RELEASE		1
6	505 58 95-01	PULLEY COVER		1
7	505 68 61-01	FLAT WASH 5/16 USS ENGINE/BIG		4
8	505 63 30-01	LK WASH 5/16 SPLIT SS		3
9	505 72 75-01	HEX BOLT 5/16-18-1 CAD GR 5		2
10	505 68 77-01	HEX BOLT 5/16-18 X 2 GRADE 8		4
11	505 62 97-01	BHS 5/16-18-1 1/4 S.S.		1
12	505 73 24-01	NUT		1
13	505 63 06-01	NYLOC NUT 5/16-18 CAD PL.		4
14	505 63 20-01	FLAT WASHER 1/4 X .062 AN960C4		2
15	505 63 28-01	LK WASH 1/4 SPLIT SS		10
16	505 62 73-01	HEX BOLT 1/4-20-3/8 S.S.		2
17	505 62 75-01	HEX BOLT 1/4-20-3/4 S.S.		7
18	505 72 73-01	HEX BOLT 1/4-20-1 STAINLESS ST		2
19	505 62 80-01	SHC 1/4-20-1 1/4 S.S.		2
20	505 72 89-01	SHC 1/4-20-2 S.S.		1
21	505 77 45-01	SPRING ANCHORS		1
22	505 63 19-01	JAM NUT 1/4-20 STAINLESS STEEL		2
23	505 63 05-01	NYLOC NUT 1/4-20 CAD PL.		5

**C** Soff-Cut 150  
WHEEL CARRIAGE ASSEMBLY



## WHEELS &amp; TIRES

Soff-Cut 150, Valid from machine 2010 3000001, 2010-10

Ref	Part No	Description	Remark	QTY	KIT
1	505 58 67-01	REAR AXLE		1	
2	505 58 68-01	FRAME. FRONT WHEEL CARRIAGE		1	
3	505 58 69-01	BUSHING		2	
4	505 58 81-01	FRONT AXLE		1	
5	505 58 89-01	SPACER		2	
6	505 63 28-01	LK WASH 1/4 SPLIT SS		3	
7	505 62 75-01	HEX BOLT 1/4-20-3/4 S.S.		3	
8	505 63 31-01	LK WASH #10 SPLIT SS		2	
9	505 63 53-01	FLAT WASH #10 S.S		2	
10	505 72 97-01	SHC 10-32 X 5/8 S.S.		2	
11	505 73 35-01	SNAP RING		4	
12	510 27 27-11	ASSEMBLY		1	
13	505 62 53-01	S.S. BUTTON *****		1	
14	505 64 89-01	BOLT		2	
15	505 86 34-01	G1000 FRONT WHEEL		3	
16	505 72 67-01	SHSB 5/16 X 1 BLK STL		1	12
17	505 63 45-01	FLAT WSHR .750X.379 X.031 DEL		2	12
18	505 58 70-01	BLADE RELEASE LEVER		1	12
19	505 77 45-01	SPRING ANCHORS		2	12
20	505 73 79-01	SPRING		1	12
21	505 63 28-01	LK WASH 1/4 SPLIT SS		2	12
22	505 72 52-01	.625 X .312 X .032 SS WASHER F		1	12
23	505 63 19-01	JAM NUT 1/4-20 STAINLESS STEEL		2	12