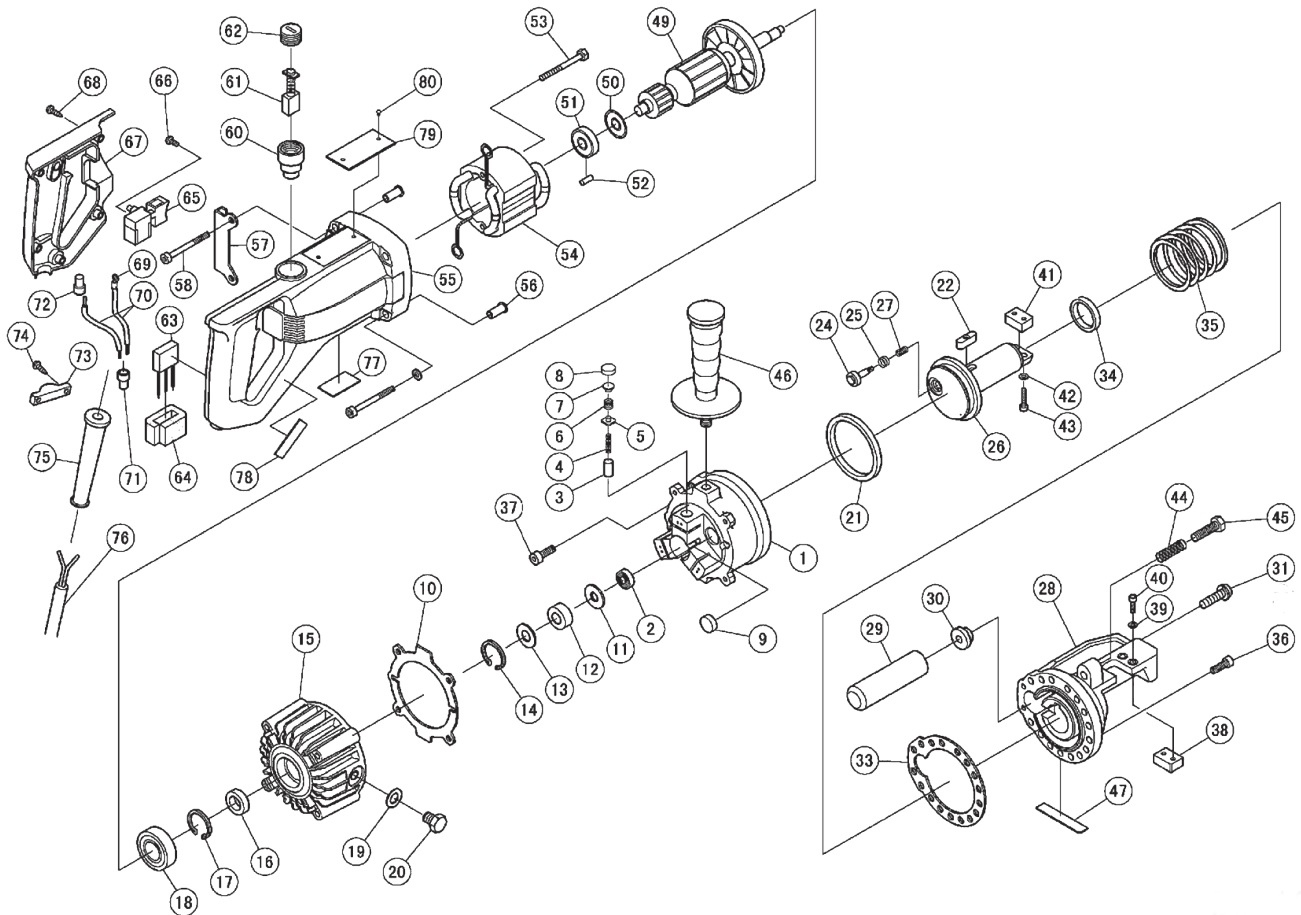




BN PRODUCTS-USA, LLC.

3450 Sabin Brown Road • Wickenburg, AZ 85390
(800) 992-3833 • (928) 684-2813 • mail@bnproducts.com

DC-16W Portable Rebar Cutter Parts Guide





BN PRODUCTS-USA, LLC.

3450 Sabin Brown Road • Wickenburg, AZ 85390

(800) 992-3833 • (928) 684-2813 • mail@bnproducts.com

DC-16W Portable Rebar Cutter Parts Guide

| | | |
|----|----------|-----------------------|
| 1 | 1CW0001 | CYLINDER (DC 16X) |
| 2 | 1CW0003 | BALL BEARING 698 |
| 3 | 1C1327 | RAM |
| 4 | 1C1330 | RAM RETURN SPRING |
| 5 | 1C13281 | DELIVERY VALVE |
| 6 | 1C1331 | DELIVERY VALVE SPRING |
| 7 | 1C13352 | SPRING GUIDE |
| 8 | 1C13292 | PUMP HEAD SEAL |
| 9 | 3P1044 | MAGNET FILTER |
| 10 | 1C1615 | PUMP CASE PACKING |
| 11 | 1C1325 | BEARING GUIDE |
| 12 | 1C1340 | NEEDLE BEARING |
| 13 | 1C1325 | BEARING GUIDE |
| 14 | 1C1326 | SNAP RING H27 |
| 15 | 4V0001A | PUMP CASE |
| 16 | 7SD15257 | OIL SEAL |
| 17 | 7HR26 | SNAP RING H26 |
| 18 | 76002VV | BALL BEARING 6002VV |
| 19 | 1C1305 | SEAL WASHER |
| 20 | 1C1304 | OIL PLUG M10x15 |
| 21 | 1C1604 | SEAL PACKING |
| 22 | 1C16182 | PISTON KEY |
| 24 | 1C1319 | RETURN VALVE |
| 25 | 1CL0143 | RETURN VALVE SPRING |
| 26 | 1C16172 | PISTON |
| 27 | 1C1323 | VALVE END SPRING |
| 28 | 1C16012 | HOUSING |
| 29 | 1C1616 | AIR BAG |
| 30 | 1C1620 | AIR BAG NUT |
| 31 | 1CM2028 | Set Bolt |
| 33 | 1C16142 | CYLINDER PACKING |
| 34 | 1C16021 | SEAL PACKING SKY30 |
| 35 | 1C16052 | RETURN SPRING |
| 36 | 7CB06020 | CAP BOLT M6x20 |
| 37 | 7CB06020 | CAP BOLT M6x20 |
| 38 | RB-16X | CUTTER BLOCK SET |
| 39 | 7SW0005 | SPRING WASHER M5 |
| 40 | 7CB05018 | CAP BOLT M5x18 |
| 41 | SEE 38 | SEE 38 |

| | | |
|----|-----------|---------------------|
| 42 | 7GW0005 | WASHER M5 |
| 43 | 7CB05015 | CAP BOLT M5x15 |
| 44 | 1C1603 | LOCK SPRING |
| 45 | 7B810040 | STOPPER BOLT M10X40 |
| 46 | 1C1627 | SIDE HANDLE |
| 47 | 7DN167 | STICKER |
| 49 | 4V0001B | ARMATURE WITH CAM |
| 50 | 4V0001J | DUST SEAL (A) |
| 51 | 7608VV | BALL BEARING 608VV |
| 52 | 4V0001G | BEARING LOCK |
| 53 | 7WNS05060 | TAPPING SCREW D5x60 |
| 54 | 4V0001C | STATOR COIL |
| 55 | 4V0001H | MOTOR HOUSING |
| 56 | 4V0001K | SLEEVE |
| 57 | 4V0001L | FOOT |
| 58 | 7CB05080 | CAP BOLT M5x80 |
| 59 | 7SS04005 | SET SCREW M4x5 |
| 60 | 4V0001D | BRUSH HOLDER |
| 61 | 1C1961A | CARBON BRUSH SET |
| 62 | 4V0001E | BRUSH CAP |
| 63 | 4V0001P | CONDENSER |
| 64 | 4V0001Q | SUPPORT (B) |
| 65 | 4V0001N | SWITCH |
| 66 | 7WB035006 | SWITCH BOLT M3.5X6 |
| 67 | 4V0001M | SWITCH COVER |
| 68 | 7WNS04020 | TAPPING SCREW D4X20 |
| 69 | 4V0001S | TERMINAL |
| 70 | 4V0001T | LEAD WIRE |
| 71 | 4V0001U | CONNECTOR 50091 |
| 72 | 4V0001W | CONNECTOR 50092 |
| 73 | 4V0001R | CORD CLIP |
| 74 | 7FNS04016 | TAPPING SCREW D4X16 |
| 75 | 4V0001X | CORD ARMER |
| 76 | 4V0001V | CORD SET |
| 77 | 7DN018 | STICKER |
| 78 | 7DN121 | STICKER |
| 79 | 7DN202 | NAME PLATE |
| 80 | 7R020032 | RIVET |