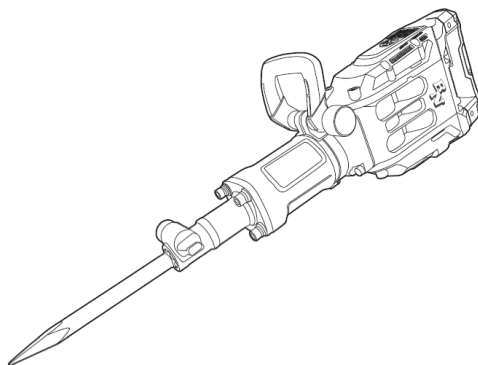


# MODEL: BNH-1770 DEMOLITION HAMMER OPERATOR MANUAL



Read this Operator Manual carefully before operating this tool.

This Manual includes important Tool Safety warnings. Failure to follow instructions may result in electrical shock, fire and/or serious personal injury.

This power tool is intended for chiseling work in concrete, brick, masonry and asphalt, as well as for driving and compacting, when using corresponding and respective accessories.

This tool should be used only for its prescribed purpose. Any other use is deemed to be a case of misuse.

3450 N. SABIN BROWN ROAD • WICKENBURG, AZ 85390  
(800) 992-3833 • MAIL@BNPRODUCTS.COM

## DEMOLITION HAMMER OPERATOR MANUAL

Thank you for choosing our BNH-1770 Industrial Demolition Hammer. This manual covers the proper operation and maintenance. Before operating, please read this manual carefully for important procedures and safety.

All technical data and drawings in this manual are consistent with manufacturing information on this product. However, as a result of revisions and ongoing improvements, the contents of this manual may vary slightly from the actual product. BN Products-USA, LLC. reserves the right to make revisions to the product and this manual at any time, without notice.

The copyright of this instruction manual belongs to BN Products-USA, LLC. No reproduction is allowed without the written consent of BN Products-USA, LLC. All rights reserved.

**This manual is a component of this tool  
and should accompany the product if it is resold.**

### WORK AREA SAFETY

Keep work area clean and well lit. Cluttered or dark areas invite accidents. Do not operate power tools in explosive environments, such as in the presence of flammable liquids, gases, or dust. This tool may create sparks which may ignite dust or fumes. Do not use the device in a wet environment (rain, snow, or standing water). Keep children and bystanders away while operating the machine.

### ELECTRICAL SAFETY

Power tool plugs must match the outlet. Never modify the plug in any way. Do not use any adapter plugs with grounded power tools. Modified plugs and matching outlets will increase risk of electric shock.

Avoid bodily contact with grounded surfaces such as pipes, radiators, or similar fixtures. There is an increased risk of electric shock.

Do not expose power tools to rain or wet conditions. Moisture entering the motor enclosure will increase the risk of electric shock.

Do not use a damaged power cord. Never use the cord for carrying or pulling the power tool. Keep cord away from heat, oil, sharp edges or moving parts.

Use only extension cords designed for the power demand of this tool. Outdoor extension cords should always be used.

## PERSONAL SAFETY

- Stay alert when operating a power tool. Do not use a power tool while you are tired or under the influence of drugs, alcohol or medication.
- Avoid unintentional running of the tool. Ensure the switch is in the off-position before connecting to power source, lifting, or transporting the tool.
- Remove any adjustment key or wrench before turning the power tool on. A wrench or a key left attached to a moving part of the power tool may result in personal injury.
- Do not overreach. Keep proper footing and balance at all times. This enables better control of the power tool in unexpected situations.
- Dress properly. Do not wear loose clothing or jewelry. Keep your hair, clothing and gloves away from moving parts. Loose clothes, jewelry or hair can be caught in moving parts.
- If devices are provided for the connection of dust extraction and collection facilities, ensure these are connected and properly used. Use of these devices can reduce dust related hazards.
- Use personal protective equipment. Always wear eye protection. Protective equipment such as dust mask, non-skid safety shoes, hard hat, or hearing protection used for appropriate conditions will reduce personal injuries.

## POWER TOOL USE AND CARE

- Do not force the tool beyond its capabilities. Use the correct power tool for your application. The correct power tool will do the job better and safer at the rate for which it was designed.
- Do not use the power tool if the switch does not turn it on and off properly. Any power tool that cannot be controlled with the switch is dangerous and must be repaired.
- Store power tools out of the reach of children and do not allow persons unfamiliar with the tool or these instructions to operate the power tool. Power tools are dangerous in the hands of untrained users.
- Perform periodic maintenance for all tools. Check for misalignment or binding of moving parts, breakage of parts and any other condition that may affect the power tool's operation. If damaged, have the power tool repaired before use.
- Keep cutting tools sharp and clean. Properly maintained cutting tools with sharp cutting edges are less likely to bind and are easier to control.
- Use the power tool, accessories and chisels, etc., in accordance with these instructions, taking into account the working conditions and the work to be performed. Use of the power tool for operations different from intended could result in a hazardous situation.

## SERVICE

Have your power tool serviced by a qualified repair person using only genuine replacement parts. A parts guide is available for this tool at [BNProducts.com](http://BNProducts.com). Contact BN Products-USA™ Customer Service at (800) 992-3833 if you need assistance from a qualified professional service department.

## DEMOLITION HAMMER SAFETY

- Use both hands, one on each handle, at all times for proper stability and control of the demolition hammer. Avoid operating alone.
- Wear a dust mask. Do not inhale particulate matter generated in demolition or chiseling operations.
- Before beginning work, always check the working area to ensure that no concealed electric cables or gas and water pipes are present.
- If the power cord is damaged, it must be replaced to avoid risk of electric shock.
- Do not touch the chisel during or immediately after operation. The contact surfaces may become very hot during operation and could cause serious injury or burns.
- Moderate operational time while using the Demolition Hammer to minimize risks related to vibration of the tool. If you lack sensation due to vibration or are fatigued, resume activity only after rest.
- Only use SDS-Max chisels, which are designed for this tool.
- Ensure that this tool has come to a complete and operational stop before touching the SDS-Max chuck, or attempting to change a chisel.
- A chisel must be firmly and correctly seated and secured in the SDS-Max chuck before beginning operation of the Demolition Hammer.

## VIBRATION SAFETY

- Constant exposure to vibration has been known to cause serious health problems such as back pain, carpal tunnel syndrome, and vascular disorders.
- Include vibration-free periods during the work day.
- Avoid excessive gripping of the tool; the demolition hammer should be gripped as lightly as possible while still keeping full control.
- Do not “force” the tool with excessive force of your own - let the tool do the work!
- Wear suitable gloves to reduce vibration effects.
- Use the lowest impact rate setting that is effective for the job.
- Follow all safety and operational instructions in this Manual.

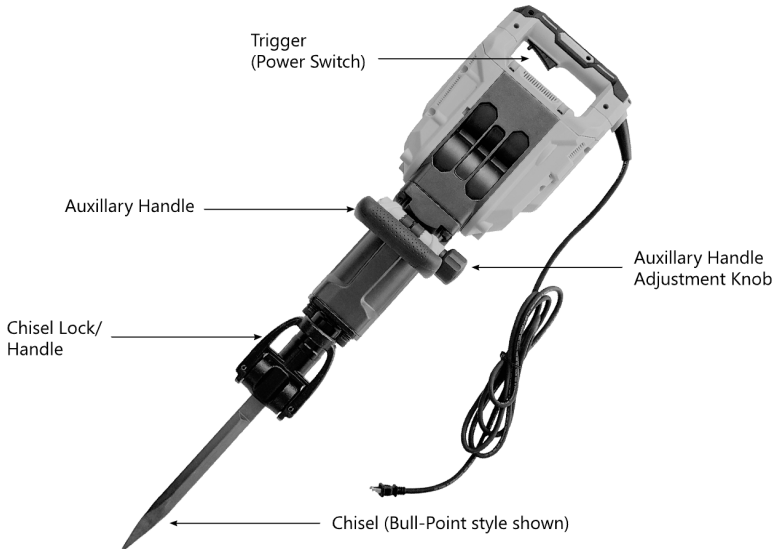
## SPECIFICATIONS & ACCESSORIES INCLUDED

Description	1700W Demolition Hammer
Power	120W / 60Hz
Impact Power	50Joules / 37 ft. pounds
Impact Rate	1650 BPM
Chuck / Bit Lock	30mm hexagon flat shank system with key
Unit Weight	39 lbs. (17.7 kg)
Accessories Included	(1) protective Case
	(1) Carbon Brush Kit
	(1) Lubricant Grease Tube
	(1) Ball Point Chisel 1-1/8" x 16" (30 x 410mm)
	(1) 22mm Flat Chisel 1-1/8" x 16" (30 x 410mm)
	(2) Hex Chuck Keys
	(1) Operator's Manual

## SETUP

Before using this tool, read the entire safety information section at the beginning of this manual.

To prevent serious injury from accidental operation: Turn the Power Switch off, and unplug the tool from any electrical outlet before making any adjustments to this machine.



## OPERATING INSTRUCTIONS



Use only accessories designed for this tool. Follow instructions that accompany all accessories. ONLY use SDS Max chisels with the BNH-1145 Demolition Hammer.

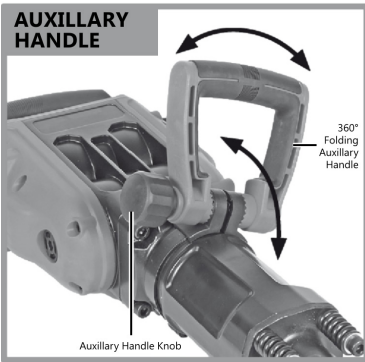


Use hearing protection and eye protection while operating this tool.



If any part is missing or damaged, do not use the demolition hammer; contact BN Customer Service for assistance.

## AUXILIARY (FRONT) HANDLE



The auxiliary handle may be adjusted into any position around the shaft of the demolition hammer. To adjust the auxiliary handle, turn the handle adjustment knob counter-clockwise to loosen the handle.

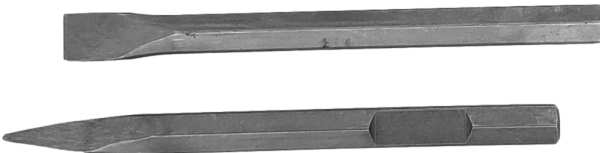
The handle may rotate around the shaft of the tool once it is loosened to the desired position. The adjustment knob should be firmly tightened (clockwise) once the handle is set in its desired position.

## INSTALL/REMOVE CHISELS

This demolition hammer includes a 30mm hex-shank chuck that uses a retainer lock, allowing accessories to be changed quickly and securely.

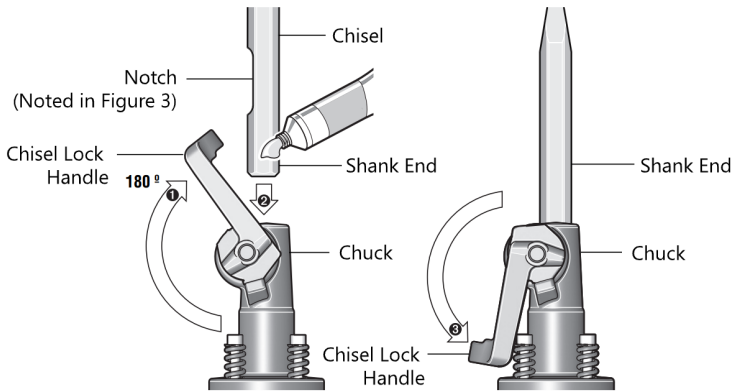
### Included Chisels

A 30mm hex shank bull-point chisel and a 30mm hex shank flat chisel are included in this kit. These chisels feature a grooved notch on one side of the chisel. This is important to locate for chisel insertion and changing chisel accessories.



## Installing Hex Shank Chisels

For Hex Shank chisels. Extend the chisel lock handle 180° outward to a horizontal position. Do not move the handle past the socket where the chisel is inserted. A small amount of grease may be applied to the shank end of the chisel before installation. Fully insert the shank end of the chisel into the hex chuck with the notched side facing the chisel lock handle. To secure the chisel pull the chisel lock back to a closed position.



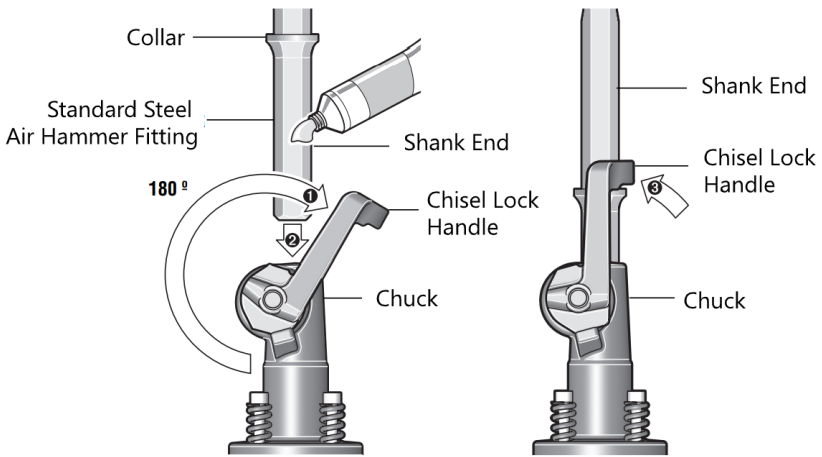
## Hex Shank Chisel Removal

- **CAUTION:** Before removing a chisel, make sure that you use suitable gloves, as a chisel may be very hot to the touch after use.
- To remove a chisel from the chuck, extend the chisel lock handle into the horizontal position as shown in the left-side.
- The chisel should slide freely out from the chuck. Store chisels in the protective sleeve provided to prevent damage while not in use.

## Installing Standard Steel Air Hammer Chisels

The chuck for this demolition hammer is equipped to secure a standard air hammer chisel in addition to the hex shank chisel. It is important to note that the installation procedure is different for standard air chisels.

- Extend the chisel lock handle toward to end of the chuck, but past the chisel socket as shown in the left diagram.
- A small amount of grease may be applied to the end of the mounting end of the chisel before installation. Fully insert the end of the chisel above the collar into the chuck.
- To secure the chisel pull the chisel lock back to a closed position, with the rounded portion of the chisel lock handle enclosing the standard air hammer chisel, as shown in the right-side diagram.



### Standard Steel Air Hammer Chisel Removal

**CAUTION:** Before removing a chisel, make sure that you use suitable gloves, as a chisel may be very hot to the touch after use. To remove a chisel from the chuck, extend the chisel lock handle into the open position as shown in the left-side diagram. The chisel should slide freely out from the chuck. Store chisels in the protective sleeve provided to prevent damage while not in use.

## GENERAL OPERATING INSTRUCTIONS

### Power Switch & Trigger Lock

- Make sure that the trigger switch is in the OFF position, and that the trigger lock is no longer engaged (which would lock the trigger in the ON position).
- Once the chisel is installed and the auxillary handle is set in the desired position, set the tip of the chisel against the work area.
- Press the trigger to activate the demolition hammer

**WARNING:** Once in the tool is working, avoid pressing or bearing down on the tool, or use and forced thrust against the work surface. Hold the demolition hammer to apply just enough pressure to allow the weight of the tool to provide force. Let the tool do the work!

Disconnect the power source when the tool is not in use, to prevent accidents. Clean the tool with a clean rag; always store the tool indoors and out of the reach of children.

**NOTE:** If the demolition hammer is being used in low temperatures, allow for the tool to warm up for approximately five minutes prior to use. This is important if the tool's lubricant has become thick due to colder temperatures, which will



affect the initial performance of the tool. Warming the tool to operating temperature will yield peak performance.

## **MAINTENANCE AND INSPECTION**

### **Inspecting the Tool**

- Chisels must be in good condition and free of chips or damage. Chisels should be sharp. Worn or dull bits will underperform and overwork the rotary hammer motor. Replace dull chisels or damaged bits with new ones that are in good condition.
- Inspect the tool to make sure that there are no loose parts and that all mounting screws and fasteners are tight; tighten as needed. Missing parts must always be replaced immediately before using the tool.
- Inspect the chisel lock and handle to ensure that it moves freely and secures each chisel tightly when a chisel is installed.
- It is important to store the tool in a cool dry place when not in use. Always keep the tool away from moisture and prevent water from entering the tool.
- Check for misalignment or binding of any moving parts when starting the tool at each use.
- Inspect the power cord for cracks or cuts each time the tool is used.
- Ensure that the tool does not have any parts that are cracked or broken parts prior to any use.
- Never use petroleum-based solvents, gasoline, paint thinners, or alcohol to clean this tool. A clean damp rag is recommended.
- This tool is shipped pre-lubricated. Due to the airtight construction of the tool, periodic lubrication is only necessary when replacing carbon brushes (see following section, Replacing Carbon Brushes)

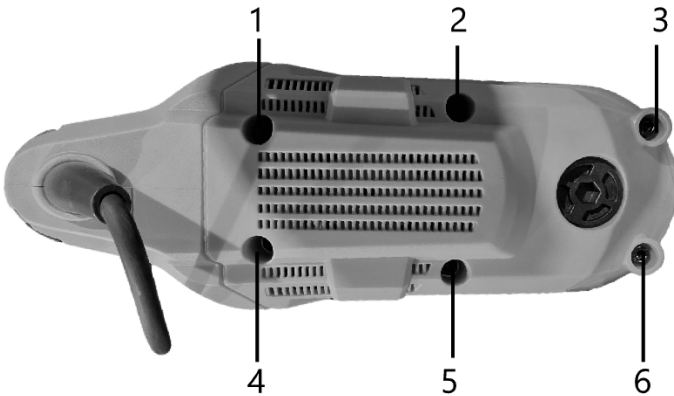
### **Carbon Brush Replacement**

Carbon Brushes are subject to wear over time. Brushes should be inspected after every 100 hours of use. At least 1/4" of the wearable surface should remain for the tool to perform optimally.

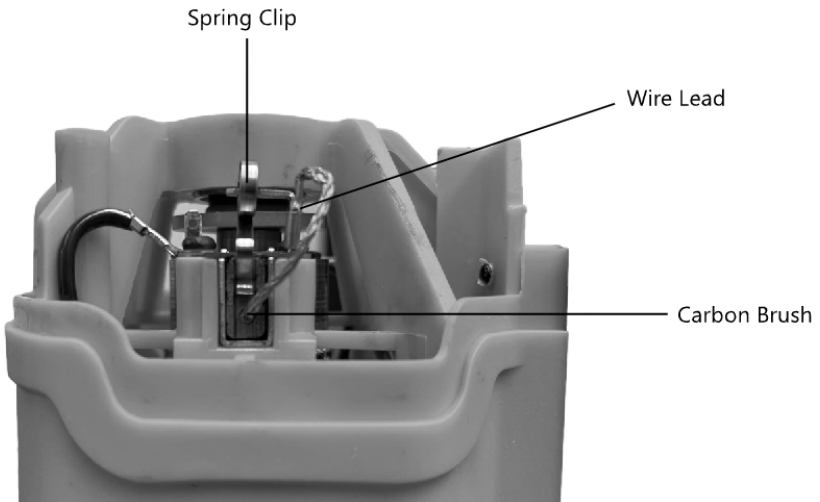
To inspect and replace carbon brushes on the BNH-1770 Demolition Hammer:

- Unplug the tool before performing any work, allow the tool to cool if it has recently been used.
- Locate the six mounting screws on the side of the unit, directly below the power cord. Remove these six screws to provide access to the carbon brush housing and compartment.

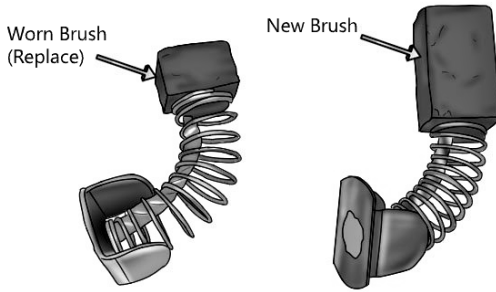
### Carbon Brush Enclosure (Mounting Screws)



- Remove the cover, exposing the carbon brushes as shown.
- The two brushes are secured with a spring clip (coil spring) on each side of the tool. To remove, the clip should be moved using a small screwdriver. The wire lead can be pulled away from the wire lead connector to free each of the two carbon brushes.
- Inspect the brushes to determine if they should be replaced. Use the diagram as a guide; however as a general rule at least 1/4" of the wearable surface of the brush must remain to ensure proper function of the demolition hammer. If the wear of the brushes is in doubt, it is best to replace them.



## Carbon Brush Inspection



- To re-install the brushes or replace with a new set, the brush should be inserted into the brush carrier subassembly, the lead wire connected, and the spring clip (coil spring) should be repositioned to firmly hold the brush into place. The wire lead must be reconnected to the wire lead connector.
- These steps must be repeated on the tool's opposite side to replace the other carbon brush. One spare set of brushes are included with the tool. Contact BN Products-USA™ Customer Service at (800) 992-3833 if you require assistance in purchasing additional replacement sets.
- When complete, and both brushes are reinstalled, replace the cover with the six mounting screws.
- When the carbon brushes have been replaced, the gearbox should be lubricated.
- Using the wrench included with the demolition hammer, remove the lubrication port cap shown, in between the mounting screws used to remove the carbon brush compartment cover.

## Lubrication

- Add lubricant to the gearbox using the lubricant provided with the tool, or use recommended lubricant product **after every 80 hours of use**:

BN Products-USA Model #	Manufacturer	Lubricant Product ID	Quantity
BNH-1770	Mobil	SHC32	80g
BNH-1145	Mobil	SHC32	60g
BNH-640	Mobil	SHC32	50g
BNH-1770	Shell	DARINA R2	80g
BNH-1145	Shell	DARINA R2	60g
BNH-640	Shell	DARINA R2	50g

## NOTICES

This tool is subject to enhancement and ongoing development. Parts, part numbers, design, and specifications may be changed on this product at any time, without prior notification.

---

### ONE-YEAR LIMITED MANUFACTURER WARRANTY

BN Products-USA™ warrants each tools to the original purchaser to be free of defects in materials and workmanship under everyday and appropriate use and service for one year. Use the applicable QR code or web URL below to access our full One-Year Warranty policy and procedure, or to complete a Warranty Service Request for this product.

If you are requesting Warranty Service, it is recommended that you have your original purchase order available to upload or scan using a mobile device.

Questions with regard to our One-Year Limited Manufacturer Warranty may be directed to BN Products-USA™ Customer Service at (800) 992-3833.

<b>SCAN</b> 	<b>ONE-YEAR LIMITED WARRANTY</b> <a href="https://www.bnproducts.com/warranty-1/">https://www.bnproducts.com/warranty-1/</a> 	<b>REQUEST WARRANTY SERVICE ONLINE</b> <a href="https://www.bnproducts.com/warranty-request/">https://www.bnproducts.com/warranty-request/</a> 
		



**BN Products-USA™**

3450 North Sabin Brown Road  
Wickenburg, AZ 85390

Customer Service: **(800) 992-3833**

Website: **www.BNProducts.com**

---