



# BNG2000i

INVERTER GENERATOR SET

**BN PRODUCTS, LLC.**  
3450 Sabin Brown Road  
Wickenburg, AZ 85390  
(800) 992-3833  
mail@bnproducts.com

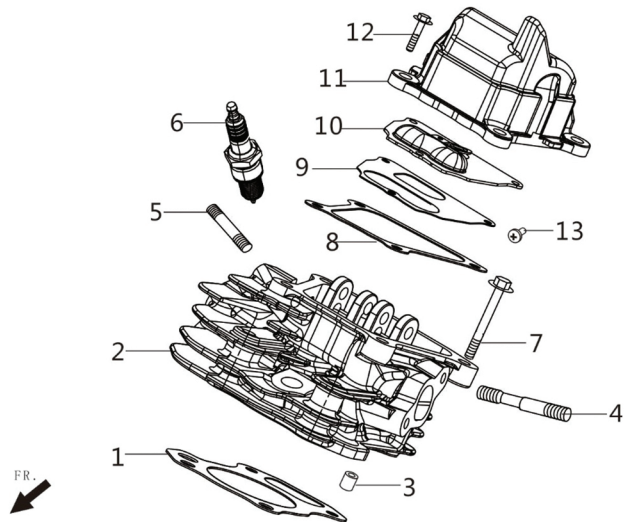
## PARTS MANUAL



**PLEASE NOTE**  
Some replacement parts are sold in kits  
or assemblies and are not available in-  
dividually.



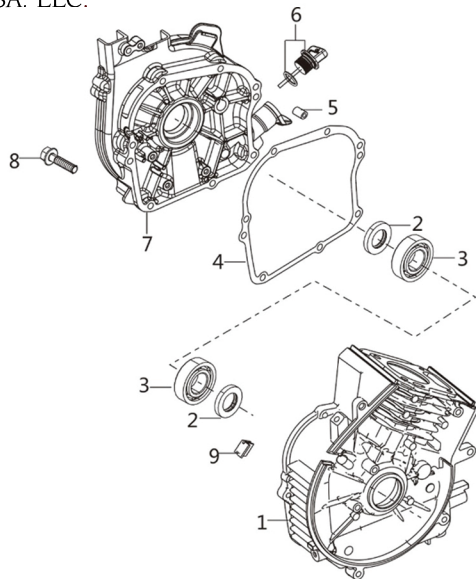
BNG2000i HEAD SUBASSEMBLY, CYLINDER / PLUG, SPARK  
BN PRODUCTS-USA, LLC.



| No: | Item ID:             | Description                      |
|-----|----------------------|----------------------------------|
| 1   | GP148-3020-001-00-00 | GASKET, CYLINDER HEAD            |
| 2   | 148.0010.001.00.00   | CYLINDER HEAD                    |
| 3   | 188.3170.001.00.00   | PIN                              |
| 4   | 0900.06090.00.01     | STUD                             |
| 5   | 0900.06025.00.01     | STUD                             |
| 6   | 148.2160.001.00.00   | PLUG, SPARK                      |
| 7   | 5789.06050.00.03     | BOLT, CYLINDER HEAD              |
| 8   | 148.3000.001.00.00   | GASKET, COVER SUBASSEMBLY        |
| 9   | 148.3088.001.00.00   | Breathing slice combination      |
| 10  | 148.7061.001.00.00   | GASKET, BREATHING                |
| 11  | 148.0001.001.00.00   | COVER SUBASSEMBLY, CYLINDER HEAD |
| 12  | 5789.06020.00.01     | BOLT                             |
| 13  | 0818.03008.00.01     | Cross recessed pan head screw    |



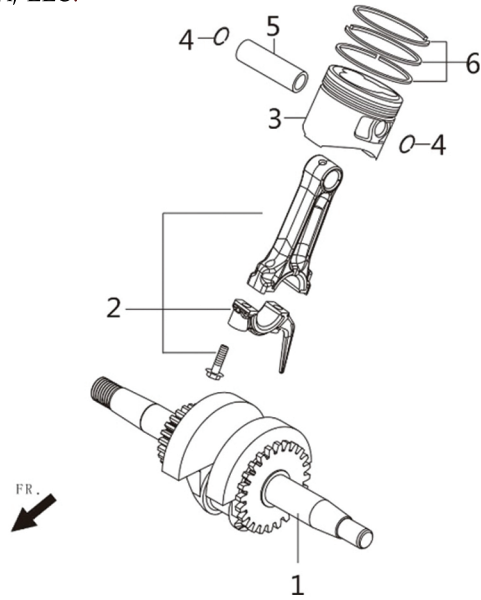
BNG2000i CRANKCASE./COVER SUBASSEMBLY, CRANKCASE  
BN PRODUCTS-USA. LLC.



| No: | Item ID:             | Description                 |
|-----|----------------------|-----------------------------|
| 1   | GP148-1000-001-00-00 | CRANKCASE SUBASSEMBLY.      |
| 2   | GP148-3150-001-00-00 | OIL-SEAL                    |
| 3   | GP148-0280-001-00-00 | BEARING                     |
| 4   | GP148-3040-001-00-00 | GASKET, CRANKCASE           |
| 5   | GP188-3170-001-00-00 | PIN                         |
| 6   | GP168-1230-001-00-00 | DIPSTICK SUBASSEMBLY, OIL   |
| 7   | GP148-1010-001-00-00 | OVER SUBASSEMBLY, CRANKCASE |
| 8   | GP5789-06020-00-01   | BOLT                        |
| 9   | GP148-6487-001-00-00 | Rubber plug                 |



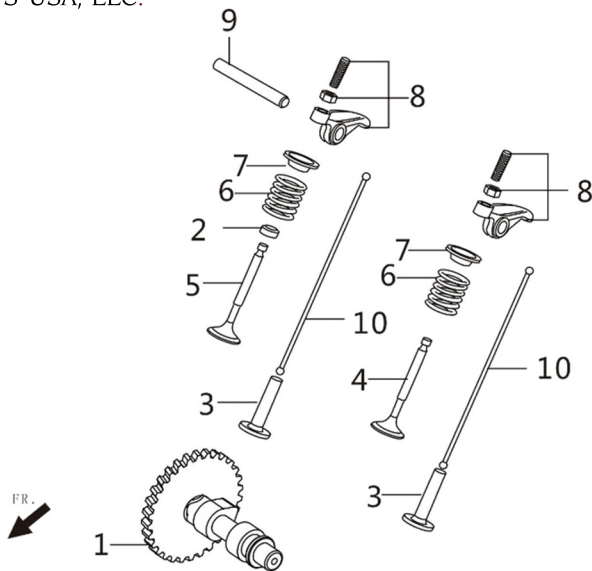
BNG2000i RING SET - OIL - ROD - CRANKSHAFT - CONNETING  
BN PRODUCTS-USA, LLC.



| No: | Item ID:             | Description      |
|-----|----------------------|------------------|
| 1   | GP148-0180-001-00-00 | CRANKSHAFT ASSY. |
| 2   | GP148-0190-001-00-00 | ROD, CONNECTING  |
| 3   | GP148-0200-001-00-00 | PISTON           |
| 4   | GP148-0230-001-00-00 | CLIP, PISTON PIN |
| 5   | GP148-0220-001-00-00 | PIN, PISTON      |
| 6   | GP148-0210-001-00-00 | RING SET, OIL    |



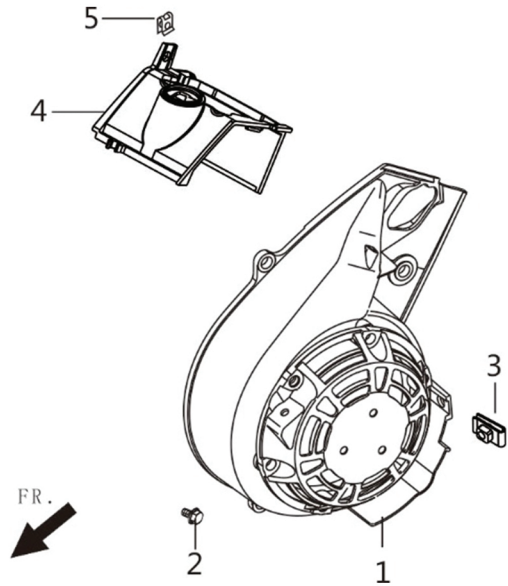
BNG2000i TRAIN - VALVE - CAMSHAFT SUBASSEMBLY  
BN PRODUCTS-USA, LLC.



| No: | Item ID:             | Description        |
|-----|----------------------|--------------------|
| 1   | GP148-1040-001-00-00 | CAMSHAFT ASSY.     |
| 2   | GP148-0085-001-00-00 | OIL BAFFLE         |
| 3   | GP148-1030-001-00-00 | TAPPET             |
| 4   | GP148-0020-001-00-00 | INTAKE VALVE       |
| 5   | GP148-0030-001-00-00 | EXHAUST VALVE      |
| 6   | GP148-0040-001-00-00 | VALVE SPRING       |
| 7   | GP148-0060-001-00-00 | VALVE-SPRING SEAT  |
| 8   | GP148-0100-001-00-00 | VALVE ROCKER       |
| 9   | GP148-0101-001-00-00 | VALVE ROCKER SHAFT |
| 10  | GP148-0160-001-00-00 | RODS               |



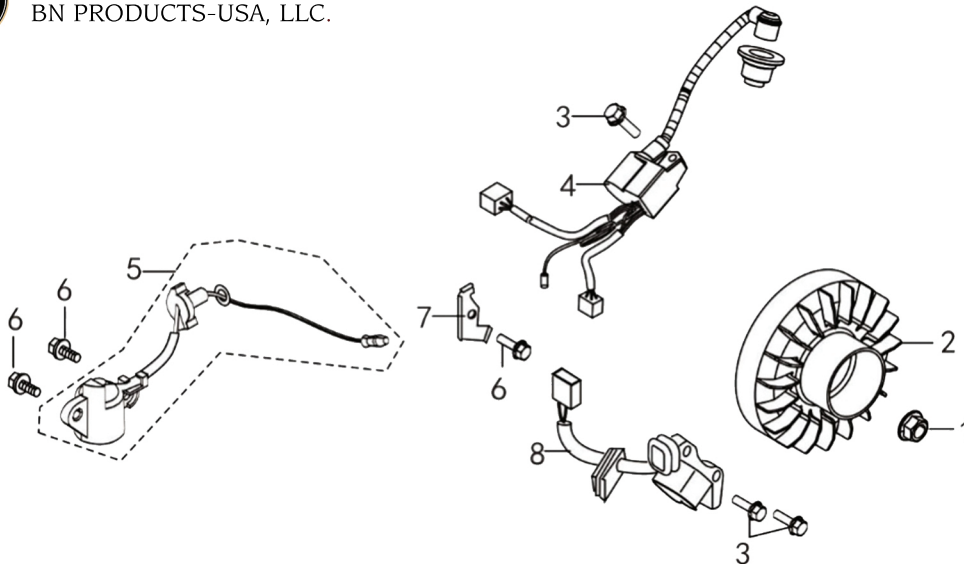
BNG2000i STARTER - RECOIL  
BN PRODUCTS-USA, LLC.



| No: | Item ID:             | Description                    |
|-----|----------------------|--------------------------------|
| 1   | GP148-2000-001-00-00 | STARTER,RECOIL                 |
| 2   | GP5789-06016-00-01   | BOLT                           |
| 3   | GP6178-05000-00-04   | NUT                            |
| 4   | GP148-2230-001-00-00 | Air guide plate, CYLINDER HEAD |
| 5   | GP148-4701-001-00-00 | CLIP                           |



BNG2000i FLYWHEEL - IMPELLER - STARTER PULLEY - IGNITION COIL  
BN PRODUCTS-USA, LLC.

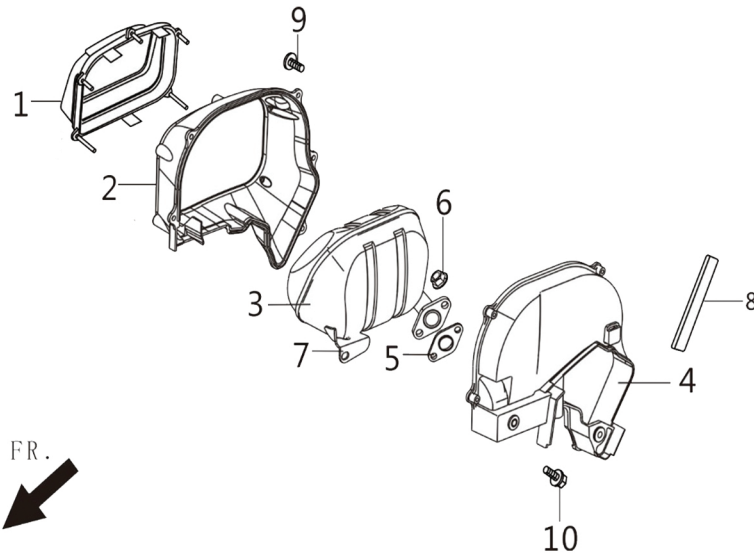


| No: | Item ID:             | Description          |
|-----|----------------------|----------------------|
| 1   | GP6177-12000-05-01   | NUT, FLYWHEEL        |
| 2   | GP148-2040-001-00-00 | FLYWHEEL SUBASSEMBLY |
| 3   | GP5789-06020-00-01   | BOLT                 |
| 4   | GP148-1522-001-00-00 | IGNITION             |
| 5   | GP148-1020-001-00-00 | OIL ALERT            |
| 6   | GP5789-06012-00-01   | BOLT                 |
| 7   | GP148-2090-001-00-00 | PLATE,OIL ALERT      |
| 8   | GP148-2050-001-00-00 | COIL, IGNITION       |





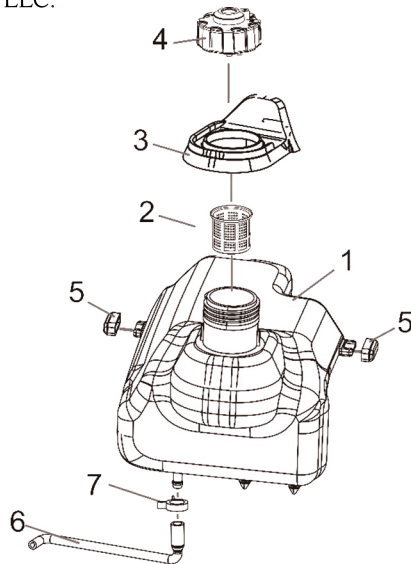
BNG2000i MUFFLER ASSY.  
BN PRODUCTS-USA, LLC.



| No: | Item ID:             | Description                    |
|-----|----------------------|--------------------------------|
| 1   | GP148-5231-001-00-00 | Muffler cover rubber sleeve    |
| 2   | GP148-2450-001-00-00 | Muffler drain cover            |
| 3   | GP148-2400-001-00-00 | MUFFLER ASSY.                  |
| 4   | GP148-2420-001-00-00 | Muffler cover rubber sleeve    |
| 5   | GP148-3100-001-00-00 | GASKET, EXHAUST OUTLET 148F    |
| 6   | GP6177-06000-00-01   | Hex flange nut                 |
| 7   | GP5789-06012-00-01   | Hexagon Flange bolt            |
| 8   | GP148-5232-001-00-00 | Muffler cover seal rubber      |
| 9   | GP0845-48016-00-01   | Cross recess pan tapping screw |
| 10  | GP5789-06016-00-01   | Hexagon flange bolt            |



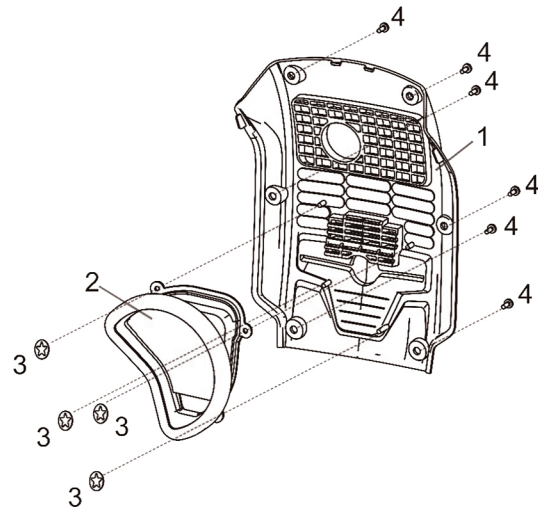
BNG2000i TANK - FUEL  
BN PRODUCTS-USA, LLC.



| No: | Item ID:             | Description |
|-----|----------------------|-------------|
| 1   | GP467-3200-C01-00-00 | TANK, FUEL  |
| 2   | GP467-3200-001-00-02 | FUEL FILTER |
| 3   | GP467-3200-001-00-03 | SHEATH      |
| 4   | GP467-3200-C02-00-01 | TANK CAP    |
| 5   | GP467-5522-003-00-00 | SHEATH      |
| 6   | GP148-2330-C02-00-00 | OIL TUBE    |
| 7   | GP458-2360-007-00-00 | FERRULE     |



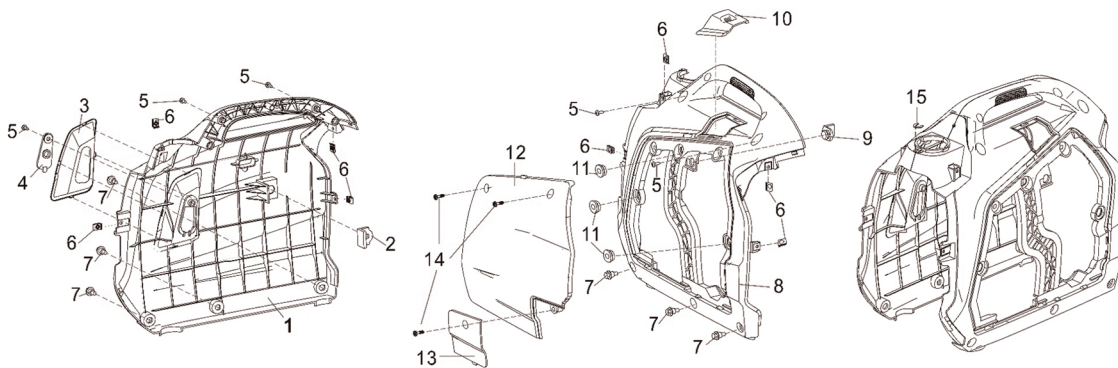
BNG2000i TAIL COVER  
BN PRODUCTS-USA, LLC.



| No: | Item ID:             | Description                   |
|-----|----------------------|-------------------------------|
| 1   | GP467-2435-001-04-00 | Tail cover                    |
| 2   | GP467-5599-001-00-00 | ventilate sheath              |
| 3   | GP467-5598-001-00-00 | Plum ring                     |
| 4   | GP0818-05016-00-07   | Cross recessed pan head screw |



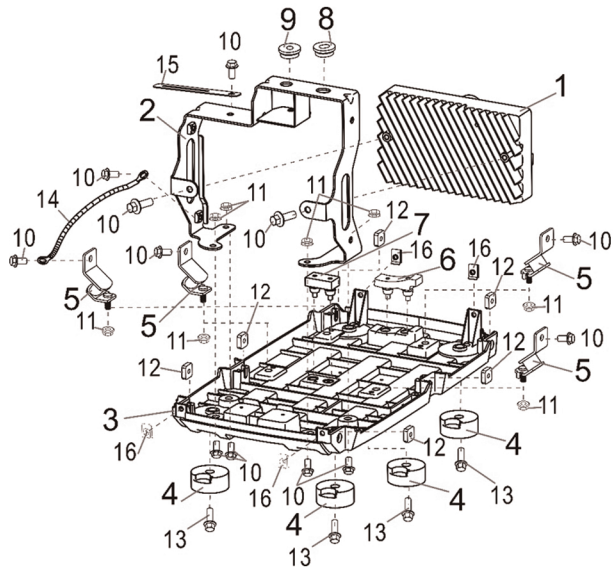
BNG2000i SHELL  
BN PRODUCTS-USA, LLC.



| No: | Item ID:             | Description                            |
|-----|----------------------|--|
| 1   | GP467-2220-001-R6-00 | LEFT SHELL                             |
| 2   | GP467-6234-001-00-00 | Sheath                                 |
| 3   | GP467-2221-001-00-00 | Ornament shell                         |
| 4   | GP148-2186-001-00-00 | Cover plate                            |
| 5   | GP0818-05016-00-07   | Cross recessed pan head screw          |
| 6   | GP6178-05000-00-04   | NUT                                    |
| 7   | GP467-4789-001-00-00 | Step bolts                             |
| 8   | GP467-2222-001-R6-00 | RIGHT SHELL                            |
| 9   | GP467-6234-002-00-00 | Sheath                                 |
| 10  | GP467-4259-001-R6-00 | Spark-plug outer cover                 |
| 11  | GP467-5522-002-00-00 | Sheath                                 |
| 12  | GP467-5596-001-R6-00 | Maintenance cover                      |
| 13  | GP467-5597-001-R6-00 | Dipstick cover                         |
| 14  | GP0949-05014-00-07   | Anti-off Cross recessed pan head screw |
|     |                      |  |



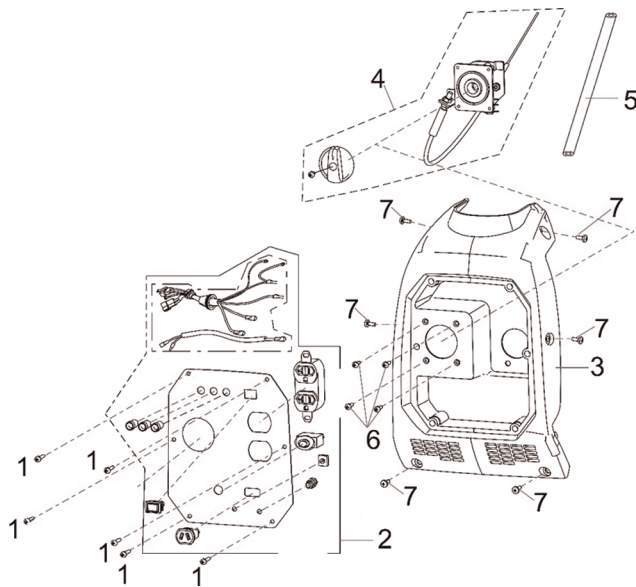
BNG2000i BASEPLATE - INVERTER -SUPPORT  
BN PRODUCTS-USA, LLC.



| No: | Item ID:             | Description    |
|-----|----------------------|----------------|
| 1   | GP467-2470-003-00-00 | Inverter       |
| 2   | GP467-2471-001-00-00 | Steel support  |
| 3   | GP467-3340-001-00-00 | BASEPLATE      |
| 4   | GP467-3350-001-00-00 | SEAT,FRAME     |
| 5   | GP467-3360-001-00-00 | SEAT,FRAME     |
| 6   | GP467-5523-001-00-00 | Rubber bearing |
| 7   | GP467-5523-002-00-00 | Rubber bearing |
| 8   | GP467-5522-002-00-00 | Sheath         |
| 9   | GP467-5522-001-00-00 | Sheath         |
| 10  | GP5787-06012-00-01   | BOLT           |
| 11  | GP6177-06000-00-01   | NUT            |
| 12  | GP467-5926-001-00-00 | NUT            |
| 13  | GP5789-06016-00-01   | BOLT           |
| 14  | GP467-3410-003-00-00 | Ground wire    |
| 15  | GP188-1220-002-00-00 | Cable clamp    |
| 16  | GP6178-05000-00-04   | NUT            |



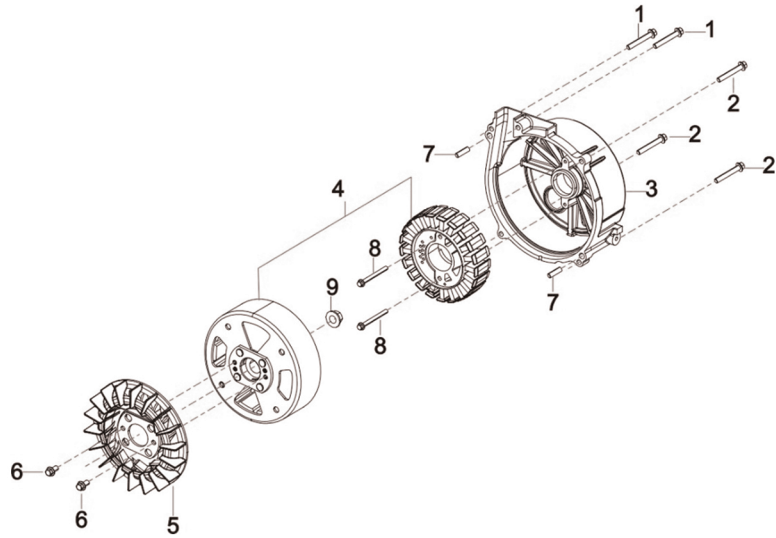
BNG2000i CONTROL - ASSY.  
BN PRODUCTS-USA, LLC.



| No: | Item ID:             | Description                   |
|-----|----------------------|-------------------------------|
| 1   | GP0818-05016-00-07   | Cross recessed pan head screw |
| 2   | GP467-3370-022-00-00 | PANEL, CONTROL, ASSY.         |
| 3   | GP467-6655-001-00-00 | Panel bed                     |
| 4   | GP467-2140-001-00-00 | Triangle Switch combination   |
| 5   | GP467-2332-002-00-00 | PVC fiberglass tube           |
| 6   | GP0819-04212-00-01   | Sheetmetal screws             |
| 7   | GP0818-05016-00-07   | Cross recessed pan head screw |



BNG2000i ROTOR - STATOR  
BN PRODUCTS-USA, LLC.



| No: | Item ID:             | Description   |
|-----|----------------------|---------------|
| 1   | GP5789-06030-00-01   | BOLT          |
| 2   | GP5789-06025-00-01   | SHROUD, MOTOR |
| 3   | GP467-4060-001-00-00 | STATOR COMP   |
| 4   | GP467-4000-002-00-00 | ROTOR COMP    |
| 5   | GP148-2030-001-63-00 | FAN BLADE     |
| 6   | GP5789-06012-00-01   | BOLT          |
| 7   | GP188-3170-001-00-00 | PIN           |
| 8   | GP5789-05035-00-01   | BOLT          |
| 9   | GP6177-12000-05-01   | NUT           |