



BN PRODUCTS-USA, LLC.

Quality Construction Tools

Cutting Edge Saw™

BNCE-30-24V Parts Guide



The BNCE 30-24V Cutting Edge Saw™ is a 24v battery-operated multi-purpose cutting tool. The saw can easily cut #8 (1") rebar, threaded rod, chain, EMT conduit, copper pipe, steel rods and tubing, and much more. This tool features a three-position handle for reach and stability. The capacity of the opening is 1.18" (30 mm), with a shrouded blade for user-safety. This kit includes two (2) Lithium-Ion batteries and a battery charger.

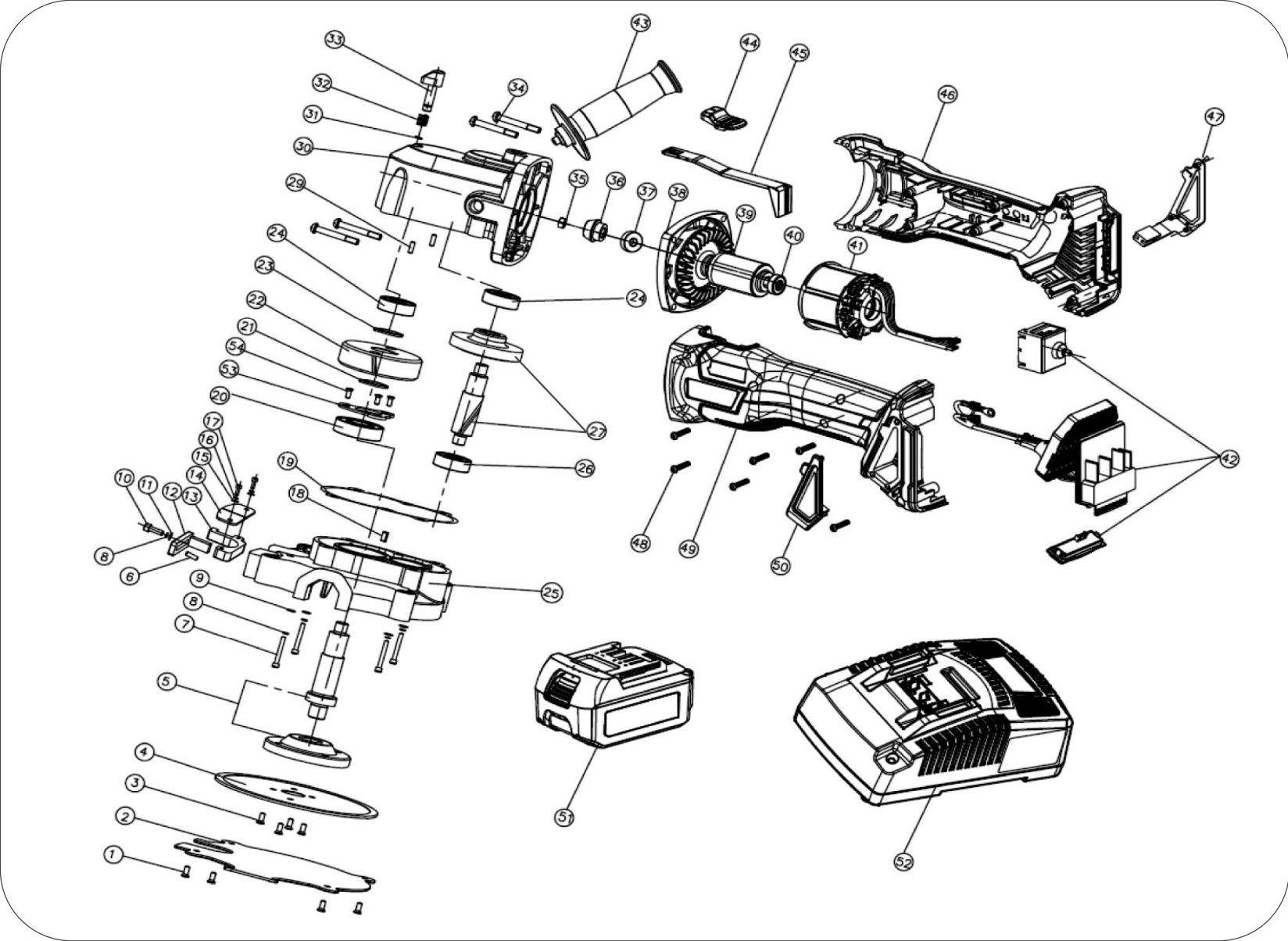
BN Products-USA™

3450 Sabin Brown Road | Wickenburg, AZ 85390
(800) 992-3833 | WWW.BNPRODUCTS.COM

Rev 9/15/2021

BNCE-30-24V Cutting Edge Saw™ Exploded View

BN Products USA™ - Customer Service
(800) 992-3833



Parts Listing for BNCE-30-24V Cutting Edge Saw™

| # | Part Number | Description | Qty | # | Part Number | Description | Qty |
|----|----------------|-----------------------------------|-----|--|-------------------|--|---|
| 1 | BNCEP1-71 | HEXAGON SOCKET SCREW (M5X14) | 4 | 30 | BNCEP24V-30 | ALUMINUM GEAR BOX HOUSING | 1 |
| 2 | BNCEP30-02 | BOTTOM PLATE GUARD (BNCE-30) | 1 | 31 | BNCEP-31 | STEEL RING (6mm) | 1 |
| 3 | BNCEP1-73 | HEXAGON SOCKET SCREW (M5X8) | 4 | 32 | BNCEP-32 | SPRING FOR LOCK BUTTON | 1 |
| 4 | RB-BNCE-30 | BLADE, REPLACEMENT (BNCE-30) | 1 | 33 | BNCEP-33 | BLADE LOCKING BUTTONS | 1 |
| 5 | BNCEP1-75 | BLADE FLANGE AND SPINDLE ASSEMBLY | 1 | 34 | BNCEP24V-34 | SCREW TAPPING PAN HEAD T15 TOR | 4 |
| 6 | BNCEP-19 | PIN (A5X10) | 1 | 35 | BNCEP24V-35 | NUT | 1 |
| 7 | BNCEP-07 | HEX BOLT (M5X30) | 4 | 36 | BNCEP24V-36 | BEVEL PINION | 1 |
| 8 | BNCEP-08 | SPRING WASHER | 5 | 37 | BNCEP24V-37 | BALL BEARING 608-2RS | 1 |
| 9 | BNCEP-09 | PLAIN WASHER (5 mm) | 4 | 38 | BNCEP24V-38 | DIAPHRAGM | 1 |
| 10 | BNCEP-20 | HEX BOLT (M5X15) | 1 | 40 | BNCEP24V-40 | BALL BEARING 696-2RS | 1 |
| 11 | BNCEP-66 | PLATE WASHER (5mm) | 1 | 39 | BNCEP24V-39 | Rotor | 1 |
| 12 | BNCEP30-18 | MOVEABLE CUTTING GUIDE BLOCK | 1 | 41 | BNCEP24V-41 | STATOR | 1 |
| 13 | BNCEP30-17 | FIXED CUTTING GUIDE BLOCK (30) | 1 | 42 | BNCEP24V-42 | SWITCH ASSY | 1 |
| 14 | BNCEP30-16 | LEFT/ RIGHT RUBBER PLATE (30) | 2 | 43 | BNCEP-67 | 3 - POSITION SIDE HANDLE | 1 |
| 15 | BNCEP-22 | PLAIN WASHER (4mm) | 2 | 44 | BNCEP24V-44 | *BNCEP24V-44A Button Assembly | SWITCH BUTTON 1 |
| 16 | BNCEP-23 | RETAINER WASHER (4mm) | 2 | 45 | BNCEP24V-45 | POLE SWITCH | 1 |
| 17 | BNCEP-24 | CAP BOLT (M4X20) | 2 | 46 | BNCEP24V-46 | *BNCEP24V-46A Housing Assembly | RIGHT HOUSING LEFT HOUSING |
| 18 | BNCEP-78 | FLAT KEY - 5X5X14 | 1 | 49 | BNCEP24V-49 | | 1 |
| 19 | BNCEP-12 | GASKET SEAL | 1 | 50 | BNCEP24V-50 | *BNCEP24V-47A Dust Protection Assembly | DUST PROTECTION-LEFT DUST PROTECTION-RIGHT |
| 20 | BNCEP-25 | BALL BEARING (6002-2RS) | 1 | 47 | BNCEP24V-47 | | 1 |
| 21 | BNCEP-26 | SPACER | 1 | 48 | BNCEP24V-48 | SCREW TAPPING PAN HEAD T10 TOR | 6 |
| 22 | BNCEP30-25 | BIG GEAR | 1 | 51 | BNCE-24VLI | RECHARGEABLE BATTERY 24V | 2 |
| 23 | BNCEP-28 | RETAINING RING | 1 | 52 | BNCE-24VCHGR | CHARGER, BNCE-24V CORDLESS | 1 |
| 24 | BNCEP24V-24 | BALL BEARING (608-2Z) | 2 | 53 | BNCEP30-21 | BEARING PLATE | 1 |
| 25 | BNCEP30-10 | ALUMINUM HOUSING (BNCE-30) | 1 | 54 | BNCEP30-22 | CROSS RECESSED COUNTERSUNK HEAD SCREW M4 x 10 | 3 |
| 26 | BNCEP24V-26 | BALL BEARING (628-2Z) | 1 | | BNCEP-CASE-30-24V | CASE, BNCE-30-24V BMC | 1 |
| 27 | BNCEP24V-27/28 | BIG BEVEL GEAR ASSEMBLY | 1 | | BNCEP-68 | CHIP COLLECTOR BAG | 1 |
| 29 | BNCEP-29 | PIN (A5X16) | 1 | *Replacement Assemblies defined on Parts List are sold as a single unit | | | |