



Benner-Nawman, Inc.

3450 Sabin Brown Road • Wickenburg, AZ 85390

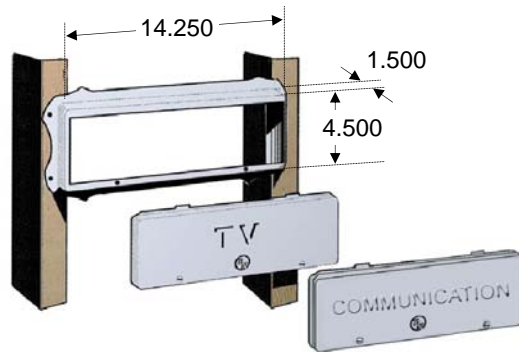
(800) 992-3833 • (928) 684-2813 • www.bnproducts.com



Specification Sheet

Part #
1020, 1020TV

This Cabinet Measures:
14¼" Wide x 4½" Tall x 1½" Deep



Features & Info:

- Open back provides ready access to splices or termination blocks for aerial drop or buried service
- "COMMUNICATION" or "TV" embossed lid available
- Nail or screw to studs on 16" centers
- Lid is secured with 2 slotted screws
- Made of 24-gauge, galvanized steel
- Ships out 40 units per carton
- Box weight: 15.6 oz.

Bottom View

