

GMC[®]

SIERRA

PORTABLE GASOLINE GENERATOR OWNER'S MANUAL



GMC[®] SIERRA

Customer Support
1-866-409-4581

TABLE OF CONTENTS

INTRODUCTION	2
IMPORTANT SAFETY INSTRUCTIONS	3
LOCATIONS OF IMPORTANT LABELS	7
CONTROL PANEL AND GENERATOR COMPONENTS	8
CONTROL PANEL FEATURES	9
Low Oil Shut Off System	9
V.F.T. Digital Meter Display	9
Circuit Breaker	9
Circuit Protector	9
ASSEMBLY	10
Packaging List	10
Wheel & Handle Kit Assembly Installation	11
OPERATING THE GENERATOR	12
Pre-Operation Checklist	12
Starting the Generator	16
Using Electric Power	18
Stopping the Generator	22
High Altitude Operation	22
MAINTENANCE	23
General Inspection & Maintenance Rules	24
Maintenance Schedule	25
Engine Oil	26
Air Filter Cleaning	27
Sediment Cup Cleaning	28
Spark Plug Service	28
Spark Arrestor Maintenance	29
Cleaning Exterior of Generator	29
TRANSPORTING & STORAGE	30
Transporting	30
Storage	30
TROUBLESHOOTING	31
SPECIFICATIONS	32
Wiring Diagram	32
WARRANTY	33
PRODUCT REGISTRATION	36

INTRODUCTION

WARNING

This manual contains important instructions for operating this product. For your safety, and the safety of others, be sure to read this manual thoroughly before operating the product.

Failure to properly follow all the instructions and precautions can cause you and others to be seriously hurt or killed.

Thank you for purchasing a GMC Portable Gasoline Generator.

Record the model and serial numbers indicated on your generator's nameplate:

Model No. _____

Serial No. _____

Date of Purchase: _____

Store/Dealer: _____

The GMC Trademark is used under license from General Motors Corporation. GMC or General Motors Corporation makes no representation or warranties with respect to this product.



GMC PORTABLE GASOLINE GENERATOR			
Model Number	<input type="text"/>	Phase	<input type="text"/>
Part Number	<input type="text"/>	Frequency	<input type="text"/>
AC Voltage	<input type="text"/>	Engine RPM	<input type="text"/>
Power Output	<input type="text"/>	Fuel	<input type="text"/>
Serial Number	<input type="text"/>		

How to find a local service center:

Even quality built equipment, such as the GMC Portable Gasoline Generator you purchased, might need service or repair parts. Contact the California Air Tools GMC Generator Customer Service Department:

Phone: 1-866-409-4581

Online: www.GMCGENERATORS.com

Please provide the information below:

- n Model number and Serial number and specifications shown on the Model number/Serial number plate.
- n Part number or numbers shown in the parts list section of the owner's manual for your generator model.
- n A brief description of the trouble with the generator.

If replacement parts are required for the engine, contact the engine manufacturer's service center.

Do not return your generator for service or parts to the store/dealer where purchased or any GMC or GM car/truck dealership.

Thank you for purchasing a GMC Portable Gasoline Generator.

Your GMC Portable Gasoline Generator is designed to provide a portable source of electricity in temporary or remote applications, including emergency situations.

Your generator is intended for OUTDOOR USE ONLY.

Please retain this manual for future reference. It contains important safety instructions and warnings, and has been prepared to provide you with accurate and complete information about your generator. We reserve the right to modify this document and/or the design of the product without prior notice.

WARNING

This manual contains important instructions for operating this product. For your safety, and the safety of others, be sure to read this manual thoroughly before operating the product.

Failure to properly follow all the instructions and precautions can cause you and others to be seriously hurt or killed.

Please do not hesitate to contact the California Air Tools GMC Generator Customer Service Department. Call 1-866-409-4581 or visit www.GMCGENERATORS.com.

Your generator meets the emission requirements of Environmental Protection Agency guidelines.



IMPORTANT SAFETY INSTRUCTIONS

Safety Messages & Signal Words:

DANGER

Indicates an immediate hazardous situation which, if not avoided, will result in death or serious injury to the operator or to bystanders.

WARNING

Indicates a potentially hazardous situation which, if not avoided, could result in death or serious injury to the operator or to bystanders.

CAUTION

Indicates a potentially hazardous situation which, if not avoided, may result in moderate or minor injury to the operator or to bystanders.

NOTICE

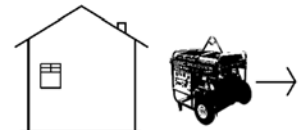
Indicates a situation which, if not avoided, may result in damage to product components or other property.

DANGER

Using a generator indoors CAN KILL YOU IN MINUTES. Generator exhaust contains carbon monoxide. This is a poison you cannot see or smell.



NEVER use inside a home or garage, EVEN IF doors and windows are open.



Only use OUTSIDE and far away from windows, doors and vents.

⚠ DANGER



TOXIC FUME

Generator exhaust contains carbon monoxide (CO).

This is a poison you cannot see or smell.

If you can smell the generator exhaust, you are breathing CO. But even if you can not smell the exhaust, you could be breathing CO.

NEVER use a generator inside homes, garages, crawlspaces, or other partly enclosed areas. Deadly levels of carbon monoxide can build up in these areas. Using a fan or opening windows and doors does **NOT** supply enough fresh air.

ONLY use a generator outside and far away from windows, doors, and vents. These openings can pull in generator exhaust. Even when you use a generator correctly, CO may leak into the home.

ALWAYS use a battery-powered or battery-backup CO alarm in the home.

If you start to feel sick, dizzy, or weak after the generator has been running, move to fresh air **RIGHT AWAY**. See a doctor. You could have carbon monoxide poisoning.

⚠ DANGER



SHOCK

Generator voltage is deadly.

There is a danger of electric shock.

Use only undamaged electrical cords.

DO NOT touch bare wires or receptacles.

DO NOT operate generator in wet weather or in wet conditions.

DO NOT touch generator or cords if hands or feet are wet.

Your generator is equipped with a ground fault circuit interrupter (GFCI) and it should always be used.

Use only approved transfer equipment to attach generator to your power system. Only a qualified electrician should install this.

DO NOT plug your generator directly into home or garage sockets (a practice known as backfeeding). This can result in death or serious injury to electric utility workers.

⚠ DANGER



FIRE



EXPLOSION

Gasoline and gasoline vapors are highly flammable and explosive.

Turn generator "OFF" before refueling, and keep it off during refueling.

Wait several minutes before opening the fuel tank, in order to allow the generator to cool down.

Only refuel generator outdoors in a well-lit and well-ventilated area.

If any fuel is spilled, allow it to evaporate before starting the generator.

DO NOT overfill the fuel tank.

DO NOT smoke or use open flame near the generator.

⚠ DANGER



KICKBACK

Moving parts can cause severe trauma.

Keep hands and feet away from rotating parts, tie up long hair, remove jewelry, and **DO NOT** wear loose clothing.

!WARNING

SHOCK



FIRE

Sparks can result in fire or electrical shock.

Only check for a spark with an approved spark plug tester.

DO NOT check for a spark with the spark plug removed.

Disconnect spark plug wire when servicing the generator.

!WARNING

SHOCK



FIRE

This generator produces powerful voltage that can cause death or injury.

When this generator is used to supply a building wiring system, it must be installed by a qualified electrician and connected to a transfer switch as a separately derived system, in accordance with the National Electrical Code, NFPA 70.

The generator should be connected through a transfer switch that switches all conductors other than the equipment grounding conductor.

The frame of the generator should be connected to an approved grounding electrode.

!WARNING

SHOCK



FIRE

Always inspect fuel lines and electrical connections for defects and damage prior to operating the generator.

Generators vibrate during normal use. During and after the use of the generator, inspect the generator as well as extension cords and connected power supply cords for damage resulting from vibration.

Repair or replace damaged items as necessary.

DO NOT use plugs or cords that show signs of damage, such as broken or cracked insulation or loose or damaged blades.

!WARNING

KICKBACK

When starting the generator using the starter cord, the starter cord can retract rapidly and cause injury.

Be sure to release the starter cord after pulling and move back away from the generator.

⚠ WARNING**HOT SURFACE****FIRE**

Generator surfaces become hot during operation.

Hot surfaces can cause severe burns.

DO NOT touch hot surfaces.

Avoid hot exhaust.

Ensure that exhaust vent is not obstructed.

Allow the generator to cool before touching.

Generator could ignite nearby materials.

Maintain at least 5 feet of clearance around and above the generator.

DO NOT place a storage cover on the unit during operation. Only place a cover on the generator after it has thoroughly cooled down.

⚠ WARNING

Generator must be placed on a firm level surface.

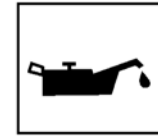
If generator is not level, it could shut off, suffer decreased performance, and damage property.

⚠ CAUTION

Always make sure the generator is properly grounded.

The faceplate of your generator is marked with the grounding symbol (as shown above), located above the grounding terminal.

Attach a heavy gauge copper wire (12 AWG minimum) to this terminal and link it to a copper rod driven into the ground. Consult an electrician to ensure compliance with local codes and regulations.

⚠ CAUTION**OIL**

Engine oil must be added prior to starting generator and the proper level must be maintained.

Failure to add or maintain proper oil level voids your warranty.

⚠ CAUTION**SHOCK**

DO NOT exceed generator's capacity.

Overloading can damage the generator and the electrical equipment connected to it.

After starting the generator, allow the motor to stabilize.

Connect devices in the OFF position, one at a time.

Before turning the generator off, turn off the devices and disconnect them from the generator.

LOCATIONS OF IMPORTANT LABELS

Read these important labels before operating.

These labels provide important safety and maintenance information. These labels should be considered as permanent parts of the generator. Should any of these labels become illegible, damaged or removed, please contact California Air Tools GMC Generators Customer Service department at 1-866-409-4581 for replacements.



	PRODUCT LABEL	PART NUMBER
A		GMCS01
B		GMCS02
C		GMCS03
D		GMCS04
E		GMCS05
F		GMCS06
G		GMCS07
H		GMCS09
I		GMCS10
J		GMCS11

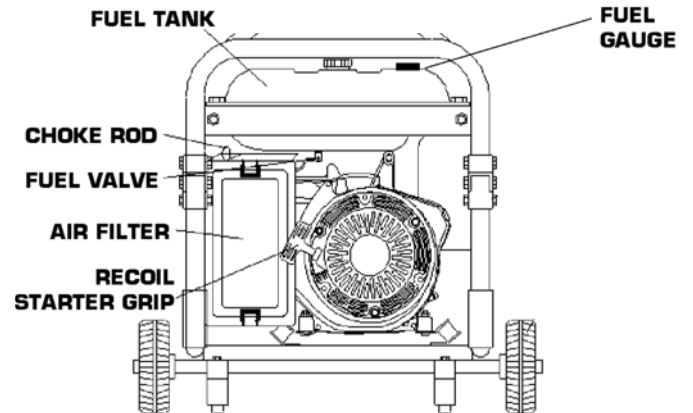
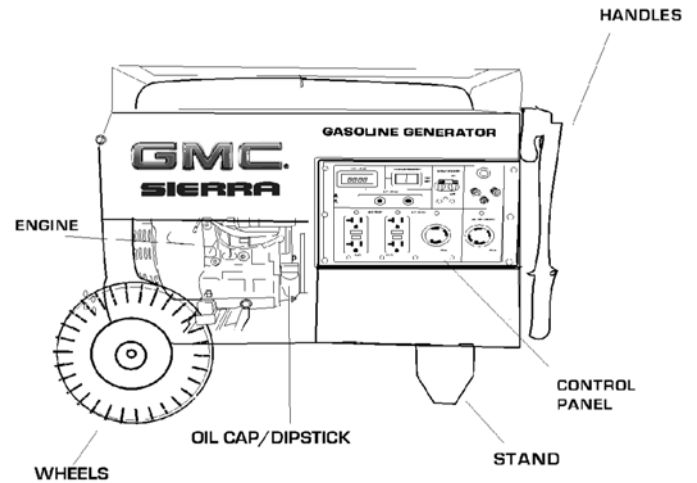
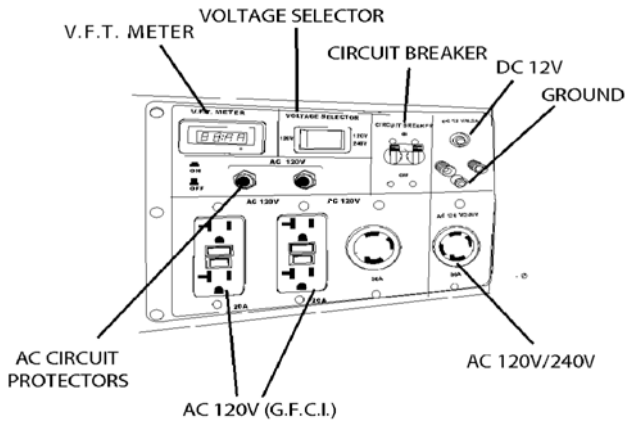
CONTROL PANEL AND GENERATOR COMPONENTS

CONTROL PANEL

- n V.F.T. Meter (Voltage/Frequency/Time)
- n Voltage Selector
- n Circuit Breaker
- n DC 12V
- n Ground
- n AC 120V/240V
- n AC 120V (G.F.C.I.)
- n AC Circuit Protectors

GENERATOR COMPONENTS

- n Handles
- n Control Panel
- n Wheels
- n Oil Cap/Dipstick
- n Stand
- n Engine
- n Fuel Tank
- n Fuel Gauge
- n Recoil Starter Grip
- n Air Filter
- n Fuel Valve
- n Choke Lever



CONTROL PANEL FEATURES

Low Oil Shut Off System

The low oil shut off is designed to prevent the engine from being damaged because of a lack of oil in the crankcase. Before the oil level falls to an unsafe level the engine will shut off. Although the engine is automatically shut off, the engine switch will still remain in the ON position.

Turn off the generator immediately and add the proper amount of oil to the engine.

Refer to the Maintenance Schedule and the Engine Oil section.

V.F.T. Digital Meter Display

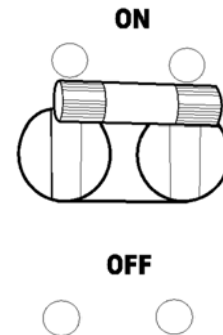
The V.F.T. digital meter displays the running voltage, the running frequency and both the current time of use and the continuous time of use for maintenance purposes.



Circuit Breaker

The circuit breaker protects the individual circuit protectors and the 30A 120V/240V receptacle. The circuit breaker will automatically switch OFF if the circuit is overloaded or if the appliance plugged into the circuit is faulty. If the circuit breaker is switched OFF automatically, check that the appliance is working properly and that it does not exceed the rated load capacity of the circuit before switching the circuit breaker ON again.

CIRCUIT BREAKER



Circuit Protector

The circuit protectors will automatically switch OFF if the individual circuit is overloaded or the appliance plugged into the circuit is faulty. If the circuit protector is switched OFF automatically, check that the appliance is working properly and that it does not exceed the rated load capacity of the circuit before resetting the circuit protector by pressing the reset buttons.



ASSEMBLY

Packaging List

Generator Wheel & Handle Kit Assembly

- n Wheel axle (1)
- n Wheel (2)
- n Bolt M8X16 (6)
- n Nut M8 (8)
- n Washer (2)
- n Split pin (2)
- n Axle holder (2)
- n Stand (2)
- n Connecting block (2)
- n Handles (2)
- n Handle sleeves (2)
- n Bolt M8X40 (2)
- n Cotter pin (2)

1 L Engine Oil

Tool Kit

Owners Manual

⚠ CAUTION

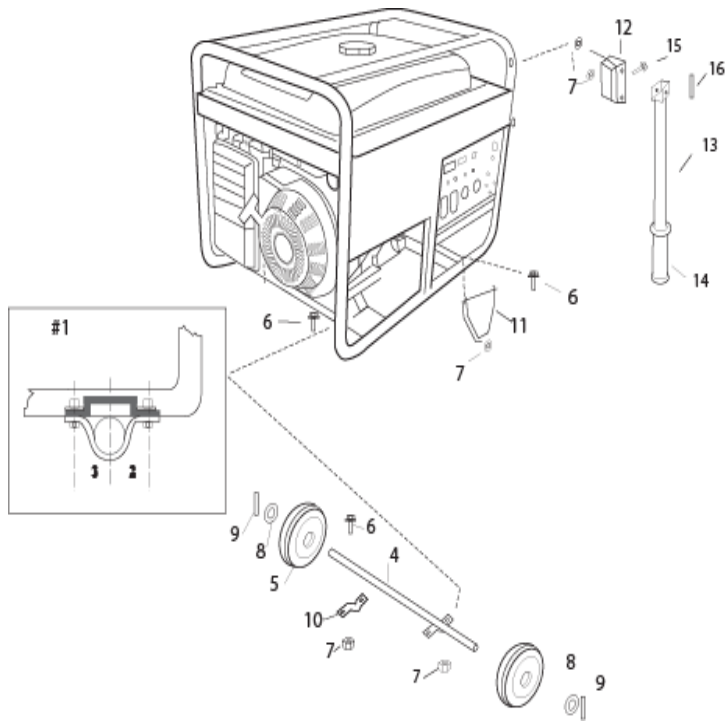


Generator is heavy! Lifting generator can cause back or other bodily injury.

NEVER lift generator without assistance.

Wheel & Handle Kit Assembly Installation

1. Slide the wheels (5) over the axle (4) on both ends, then slide on the two washers (8) and insert the two split pins (9) into the axle and spread apart.
2. Mount assembled axle (4) to the frame with axle holder (10), bolt (6) and nut (7). Refer to diagram #1.
3. Fit the two stands (11) on the frame with the two bolts (6) and nuts (7).
4. Fit the two handles (13) on the connecting block (12) with the two bolts (15) and nuts (7), then mount the assembled handle on the frame. Use the two cotter pins (16) to hold handles in an upright position.



- | | | |
|--------------------------|---------------------|--------------------------|
| 1. Mounting axle diagram | 7. Nut M8 (8) | 12. Connecting block (2) |
| 2. Shorter end | 8. Washer (2) | 13. Handle (2) |
| 3. Longer end | 9. Split pin (2) | 14. Handle sleeves (2) |
| 4. Wheel axle (1) | 10. Axle holder (2) | 15. Bolt M8X40 (2) |
| 5. Wheel (2) | 11. Stand (2) | 16. Cotter pins (2) |
| 6. Bolt M8X16 (6) | | |

⚠ CAUTION

Keep all hands and fingers away from hinges when folding down the handles.

NOTICE

Never use this wheel kit with any other product.

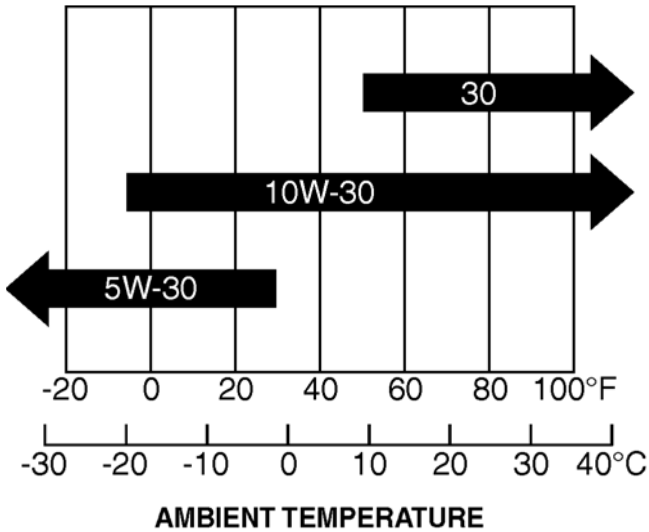
Never pull your generator with a vehicle or use on a road.

OPERATING THE GENERATOR

Pre-Operation Checklist

Engine Oil Recommendations

SAE 10W-30 standard motor oil is recommended for normal operating conditions and temperatures (between 0°F and 100°F).



NOTICE

Engine oil is a major factor affecting engine performance and service life. Non-detergent and 2-stroke engine oils will damage the engine, and are not recommended.

Be sure to use engine oils specified under “Engine Oil Recommendations.”

It is very important to maintain proper levels of engine oil to keep engine in good condition.

Check engine oil levels prior to each use. Refill engine oil if oil level is too low.

Checking Oil Level

! WARNING

Crankcase pressure can cause hot engine oil to spray out of engine fill hole. Hot engine oil can cause severe burns.

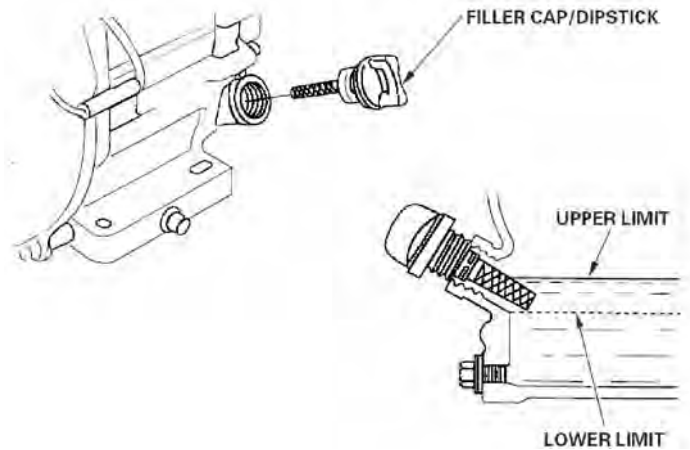
Always stop engine before removing oil fill cap.

! WARNING

Frequent or prolonged contact with engine oil may cause skin cancer.

Immediately after handling engine oil, thoroughly wash hands and any areas of skin exposed to engine oil, using soap and water.

1. Have your generator on a flat, level surface. Stop generator from running. Allow to completely cool.
2. Remove the oil filter cap and wipe the dipstick clean with a clean cloth.
3. Check the oil level by inserting the dipstick in the filter neck without screwing it in, then remove it. If the level is below the lower level line, add the recommended oil until the level reaches the upper mark on the dipstick.



4. When filled to the upper level line, the generator holds a maximum of .32 oz (1 L) of oil.
5. Refer to the Maintenance Schedule for regular service intervals.

Fuel

This engine is designed to run properly using unleaded gasoline with an octane number of 87 or higher.

Leaded gasoline or lower octane gasolines are not recommended and can cause unusual wear on the exhaust system and spark plugs.

NOTICE

To avoid damage to engine, never use stale or contaminated gasoline or oil/gasoline mixture.

Avoid getting dirt or water in fuel tank.

Note: Occasional light spark knocks, "pinging" and metal tapping noises are normal while operating under heavy loads. If "pinging" or "knocking" or loud metal tapping occurs during steady engine speeds under normal load, shut off the engine and replace fuel with fresh gasoline.

If these noises persist go to an authorized GMC Portable Gasoline Generator Service Center.

Gasoline Containing Alcohol

Oxygenated fuel is blended with alcohol or other additives to increase octane quality, enhance combustion, and reduce exhaust emissions. If you use oxygenated fuel, it must have an octane of 87 or higher as recommended above.

Gasoline containing more than 10% Ethanol (Gasohol) is not recommended. Gasoline containing 5% or less of Methanol must contain co-solvents and corrosion inhibitors to protect the fuel system. Never use gasoline with more than 5% Methanol.

NOTICE

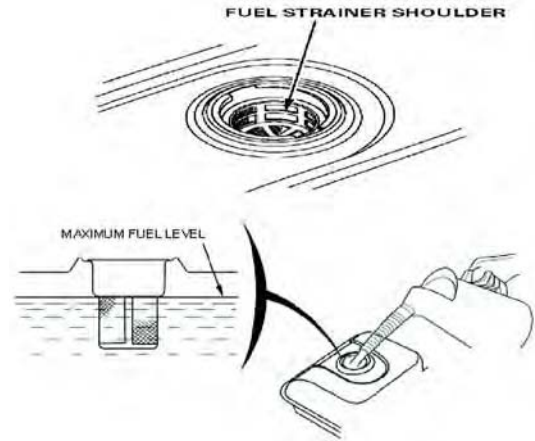
Oxygenated fuels can damage paint and plastic.

Be careful not to spill fuel when filling fuel tank.

Damage caused by spilled fuel is not covered under warranty.

Adding Fuel

1. Have your generator on a flat, level surface.
2. Check fuel tank gauge. Add fuel if the level is low.
3. Remove the fuel cap and filter. Clean filter and replace. Fill tank. Do not overfill.
4. After refueling, replace the fuel tank cap tightly.
5. Fuel tank capacity is 7.4 gal.



⚠ DANGER



EXPLOSION



FIRE

Fuel and fuel vapors are extremely flammable and explosive under certain conditions.

Refuel generator only outdoors, in a ventilated area.

NEVER fill fuel tank while engine is running. Turn generator OFF and allow to cool before filling with fuel.

NEVER smoke or allow flames or sparks near generator or where gasoline is stored.

NEVER overfill fuel tank. No fuel should be above the filter shoulder. After refueling, be sure that the fuel tank cap is closed properly and securely.



Be careful not to spill fuel when refueling. Spilled fuel or fuel vapor may ignite. If any fuel is spilled, be sure area is dry before starting engine.

Avoid repeated or prolonged contact with skin, or breathing of vapor.

Generator Exhaust

⚠ DANGER

Using a generator indoors CAN KILL YOU IN MINUTES.
Generator exhaust contains carbon monoxide.
This is a poison you cannot see or smell.

 <p>NEVER use inside a home or garage, EVEN IF doors and windows are open.</p>	 <p>Only use OUTSIDE and far away from windows, doors and vents.</p>
---	--

Generator exhaust contains carbon monoxide (CO). This is a poison you can not see or smell. If you can smell the generator exhaust, you are breathing CO. However even if you cannot smell the exhaust, you could be breathing CO.

- n NEVER use a generator inside homes, garages, crawlspaces, or other partly enclosed areas. Deadly levels of carbon monoxide can build up in these areas. Using a fan or opening windows and doors does NOT supply enough fresh air.
- n ONLY use a generator outside and far away from windows, doors, and vents. These openings can pull in generator exhaust. Even when you use a generator correctly, CO may leak into the home. ALWAYS use a battery-powered or battery-backup CO alarm in the home.
- n If you start to feel sick, dizzy, or weak after the generator has been running, move to fresh air RIGHT AWAY. See a doctor. You could have carbon monoxide poisoning.


Select a safe and suitable location

The generator should only be operated outdoors on a firm, level surface in a well-ventilated area. At least 5 feet of clearance should be maintained in relation to any structures or objects, and this includes space above the generator. The generator could ignite nearby materials.


- n DO NOT operate the generator in wet weather or in wet conditions.
- n DO NOT place or store any items on the generator.
- n Keep children and pets away from the generator.
- n Check the wheels before use.
- n Hearing protection is recommended.

Before Operation

⚠ DANGER



ELECTROCUTION



EXPLOSION

Before connecting to building's electrical system, consult your local utility company or a qualified electrician. Improper connections to a building's electrical system can be deadly.

Electrical current from generator can feed back into utility lines. Such feedback may electrocute utility company workers or others who contact utility lines during a power outage.

Electrical current can feed back into generator. When utility power is restored, generator may explode, burn, or cause fires in building's electrical system.

- n Check with your local authority and local utility company before using your generator. There may be local regulations regarding generators.
- n Additional requirements may apply to construction sites.
- n Consult a qualified electrician if you have questions regarding the proper use of the generator, including any electrical devices to be connected.

When this generator is used to supply a building wiring system:

- n Transfer switch **MUST** be used when connecting generator to a building's electrical system.
- n Generator must be installed by a qualified electrician and connected to a transfer switch as a separately derived system in accordance with the National Electrical Code, NFPA 70.
- n The generator should be connected through a transfer switch that switches all conductors other than the equipment grounding conductor.

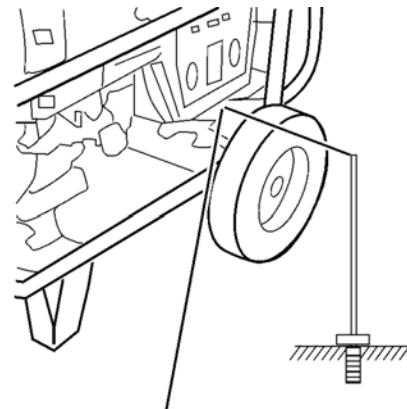
Grounding

- n Always ground the generator.

The faceplate of your generator is marked with the following grounding symbol, which is located above the grounding terminal:




- n Attach a heavy gauge copper wire (12 AWG minimum) to this terminal and link it to a copper rod driven into the ground. Consult an electrician to ensure compliance with local codes and regulations.



GROUND TERMINAL

⚠ WARNING



SHOCK

Generator produces powerful voltage that can cause death or great physical harm.

When using generator for backup power, notify utility company. Use approved transfer equipment to isolate generator from electric utility.

NEVER connect to a building's electrical system unless a transfer switch has been installed by a qualified electrician.

NEVER touch bare wires or receptacles.

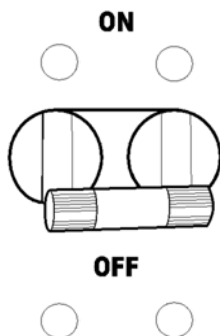
NEVER use generator with electrical cords that are worn, frayed, bare, or otherwise damaged.

NEVER operate generator in rain or snow, or when generator is sitting on wet surface.

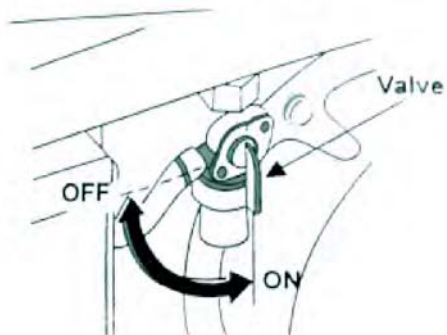
Starting the Generator

1. Make sure the AC circuit breaker is in the OFF position.

CIRCUIT BREAKER



2. Turn the fuel valve lever to the ON position.



⚠ WARNING

HOT SURFACE
The choke lever, if hot, could cause severe burns. DO NOT touch until the engine cools down.

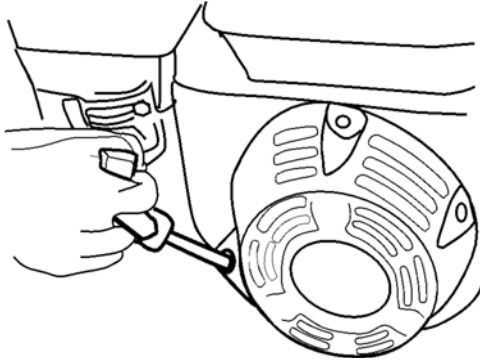
NOTICE
Do not use choke lever if the engine is warm or if the air temperature is above 80 degrees.

3. Pull choke lever out to the CLOSED position.



4. Turn the engine switch to the ON position.

5. For Recoil Starter – Pull the starter grip lightly until resistance is felt, then pull rapidly.



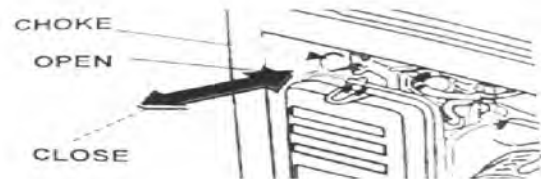
⚠ WARNING



HOT SURFACE

The choke lever, if hot, could cause severe burns.
DO NOT touch until the engine cools down.

6. Push the choke lever to the OPEN position as engine warms up. The choke is used to provide the proper mixture when the engine is cold. It can be opened and closed by operating the choke lever manually. Move the lever to the closed position to enrich the mixture for cold starting.



⚠ WARNING



KICKBACK

When starting the generator using the starter cord, the starter cord can retract rapidly and cause injury.
Be sure to release the starter cord after pulling and move back away from the generator.

NOTICE

Engine oil must be added prior to starting the generator and the proper oil level must be maintained.

Always check the dipstick to ensure proper oil level before attempting to start the generator.

Using Electric Power

AC Application

1. Check voltmeter for proper voltage.
2. Turn OFF the switch(es) on the electrical appliance(s) before connecting to the generator
3. Insert the plug(s) of the electrical appliance(s) into the receptacle(s).

!WARNING



SHOCK

Faulty appliances and power cords can result in electrical shock.

Before attempting to power an appliance, be sure generator has been properly grounded, and that appliance and power cord are in good working order.

4. Turn the AC circuit breaker to the ON position.
5. Turn on the ON switch(es) to the appliance(s) that are connected to the generator.

Notes:

- n Do not exceed the generator's capacity.
- n Calculate the total wattage of all the devices you will connect to the generator. Make sure that the total wattage is below the capacity of the generator.
- n If the generator's capacity is exceeded or "overloaded" the circuit breakers will stop the flow of electricity from the generator to the appliances. If this happens, power OFF the generator and disconnect the appliances. Wait a few minutes and then push the RESET circuit breaker switch.
- n Many electrical devices require more starting watts than running watts, a phenomenon known as "surge watts" or "starting watts." Make sure to account for this when calculating the amount of watts that will be applied.
- n If an appliance begins to operate abnormally or becomes sluggish or stops suddenly, turn off the appliance immediately and disconnect the appliance from the generator.

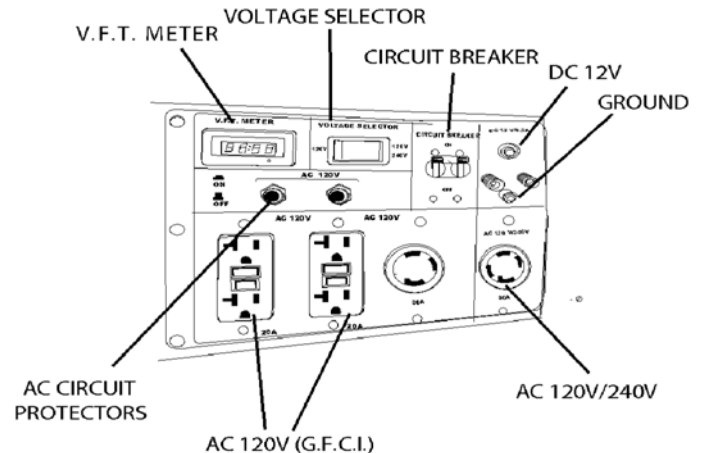
!CAUTION

Do not run power cords under carpet, rugs, or other materials where heat might build up or cord damage may go unnoticed.

NOTICE

Starting appliances that have motors requires more power. Examples of motorized appliances include refrigerators, water pumps and furnace blowers.

Be sure that the power rating of the appliance does not exceed that of the generator.



⚠ CAUTION

Always verify actual wattage requirements for appliance you will be powering.

Check labels inside or on the back of the appliance, refer to appliance operating manuals, or contact appliance manufacturer.

CONTRACTOR APPLIANCE	TYPICAL RUNNING WATTS
Air Compressors	
½ Horsepower	1,000
1 Horsepower	1,500
1½ Horsepower	2,000
2 Horsepower	2,500
Battery Charger	3,000
Bench Grinders	
6 Inches	750
8 Inches	1,400
10 Inches	1,600
Circular Saws	
6½ Inches	1,000
7¼ Inches	1,500
8¼ Inches	2,000
Drum Mixer (55 gal) (¼ hp)	700
Drills	
¼ Inch (3 amps)	300
¾ Inch (4 amps)	450
½ Inch (5 amps)	600
Electric Chain Saws	
12 Inch (½ hp)	1,000
14 Inch (2 hp)	1,200
Electric Cultivator (½ hp)	7,000
Electric Hedge Trimmer (18 in)	400
Electric Line Trimmer (9 in)	400
Floodlights (watts per bulb)	500
Flood Polisher (16 in) (¾ hp)	1,500

CONTRACTOR APPLIANCE	TYPICAL RUNNING WATTS
Hand Drills	
¼ Inch	350
¾ Inch	400
½ Inch	600
Impact Wrenches	
½ Inch	800
¾ Inch	1,000
1 Inch	1,400
Saws	
Worm Drive 7¼ Inch	2,000
Band Saw 14 Inch	1,200
Table Saws	
Radial 9 Inch	1,500
Radial 10 Inch	1,800
Miter Saw (10 amps)	1,200
Miter Saw (15 amps)	1,700
Wet & Dry Shop Vacuum (2 hp)	1,000
Pressure Washers	
¾ Horsepower	1,000
HOUSEHOLD APPLIANCES	TYPICAL RUNNING WATTS
Blender	200
Bread Maker	600
Central Air Conditioner (32,000 BTU)	5,000
Clothes Dryer (Electric)	800
Clothes Dryer (Gas)	700
Coffee Maker	1,000
Computer/Laptop	250
Dehumidifier	700
Dishwasher	1,200
Electric Blanket	400
Electric Furnace (½ hp)	1,400


HOUSEHOLD APPLIANCES	TYPICAL RUNNING WATTS
Electric Range	1,500
Freezer	500
Furnace	500
Garage Door Opener	600
Hair Dryer	1,200
Iron	1,200
Microwave	1,500
Radio	200
Refrigerator	700
Space Heater	1,000
Sump Pump (½ hp)	1,000
Swamp Cooler	1,000
Television	300
Toaster	1,000
Vacuum	1,400
Washer & Dryer	2,500
Water Heater	3,000
Well Pump (½ hp)	1,000

Voltage Selector Switch


1. Select the voltage using the Voltage Selector Switch (120V/240V) in accordance with the electrical appliance.
2. Operate the same as steps 1-5 in “AC Application.”

DC Application


!WARNING



TOXIC FUME



FIRE



EXPLOSION

Follow these precautions while charging battery:

An explosive hydrogen gas is discharged through vent holes in the battery during charging.

Do not allow sparks or open flames around the generator or battery during the charging process.

Electrolyte fluid can burn eyes and clothing. Be extremely careful to avoid any contact. If injured, wash the affected area immediately with large amounts of water and seek medical attention immediately.

When charging a large capacity battery or a totally discharged battery, excessive current may force the DC breaker to turn off. In this case, use a battery charger.

The DC terminal is used only for charging 12V batteries. It provides up to 12V-8.3A (100W) of maximum power.

1. Connect positive (red) terminal on the generator to the positive (+) terminal on the battery.
2. Connect the negative (black) terminal on the generator to the negative (-) terminal on the battery.

Note: Both the AC and DC output can be used at the same time if the total output is within rated output of the generator.

Ground Fault Circuit Interrupter Receptacle (GFCI)

This receptacle is protected by the Ground Fault Circuit Interrupter (GFCI). The GFCI is for protection against electrical shock.

!WARNING



SHOCK

NEVER operate generator in rain or snow, or when the generator is set on wet surface.

Test Button

The Test Button should extend with a click. If the Test Button does not extend, take to an authorized GMC Portable Gasoline Generator Service Center.

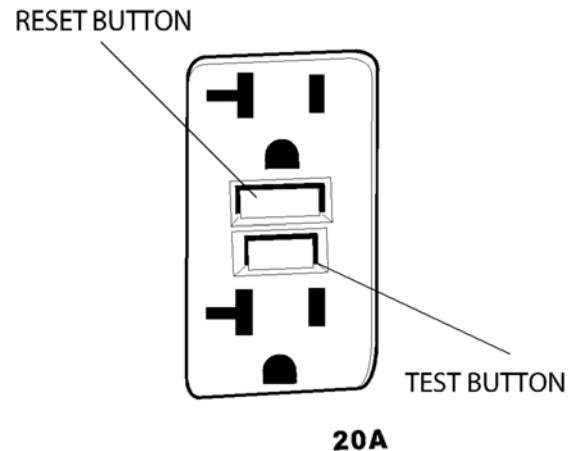
Perform this test monthly to ensure proper operation. If use in outdoors unprotected from the weather, test before each use.

Reset Button

If the Reset Button extends during operation, unplug all appliances from the GFCI receptacle.

To restore power, press the Reset Button.

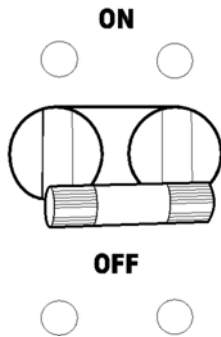
The Reset Button should be flush with the Test Button. If the Reset Button is not flush with the Test Button, take to an authorized GMC Portable Gasoline Generator Service Center.



Stopping the Generator

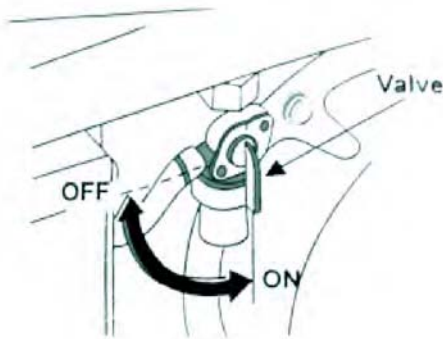
- n In an emergency, turn the engine switch to the OFF position.
- n In normal use:
 1. Turn off any connected appliances and unplug any power tools.
 2. Turn the AC circuit breaker to the OFF position.

CIRCUIT BREAKER



3. Turn the engine switch to the OFF position.

4. Turn fuel valve lever to the CLOSED position.



High Altitude Operation

At high altitudes, standard carburetors' air/fuel mixture will be excessively rich. Performance will decrease, and fuel consumption will increase.

High-altitude performance can be improved by installing a smaller diameter main fuel jet in the carburetor and then readjusting the pilot screw. If you always operate the engine at altitudes higher than 5000 feet (1500 meters) above sea level, have an authorized California Air Tools GMC Portable Gasoline Generator Dealer perform this carburetor modification.

Even with suitable carburetor jetting, engine horsepower will decrease approximately 3.5% for each 1000-foot (300-meter) increase in altitude. The effect of altitude on horsepower will be greater than this if no carburetor modification is made.

NOTICE

If the carburetor is jetted for high altitude and is used at lower altitude, performance may be reduced and overheating may seriously damage the engine due to lean air/fuel mixture.

MAINTENANCE

Proper maintenance is the responsibility of the owner.

Your generator requires periodic maintenance and adjustments to keep the generator in good operating condition. Refer to the Maintenance Schedule chart for specific maintenance intervals.

Keep in mind that this maintenance schedule is for normal working conditions.

⚠ WARNING

Improper maintenance or a failure to correct problems before operation can lead to malfunctions, which could cause serious injury or death.

Always follow inspection and maintenance recommendations and schedules in the owner's manual.

NOTICE

The maintenance schedule applies to normal operating conditions. If you operate the generator under severe conditions such as sustained high load or high temperature, or use it in unusually wet or dusty conditions, consult your servicing dealer for recommendations applicable to your use.

NOTICE

Always turn off your generator and allow generator to cool down before performing maintenance.

Remove the spark plug wire before attempting maintenance. This prevents the generator from starting unintentionally.

Always follow the recommended maintenance in the owner's manual.

Emission Control System

Combustion may generate such pollutants as carbon monoxide (CO), nitrogen oxides and hydrocarbons, which may contaminate the environment if large amounts of them are emitted into the air. Among them, CO is a kind of colorless, flavorless and toxic gas. Excessive inhalation of this poison could lead to serious injury or death, so it is very important to control emissions. To ensure that your gasoline engine meets emission standards, consider the following items.

⚠ DANGER



TOXIC FUME

Generator exhaust contains carbon monoxide (CO).

This is a poison you cannot see or smell.

If you can smell the generator exhaust, you are breathing CO. But even if you can not smell the exhaust, you could be breathing CO.

NEVER use a generator inside homes, garages, crawlspaces, or other partly enclosed areas. Deadly levels of carbon monoxide can build up in these areas. Using a fan or opening windows and doors does NOT supply enough fresh air.

ONLY use a generator outside and far away from windows, doors, and vents. These openings can pull in generator exhaust. Even when you use a generator correctly, CO may leak into the home.

ALWAYS use a battery-powered or battery-backup CO alarm in the home.

If you start to feel sick, dizzy, or weak after the generator has been running, move to fresh air RIGHT AWAY. See a doctor. You could have carbon monoxide poisoning.

Unauthorized modification or changes to the emission control system may lead to illegally high emissions. Unauthorized modification of the inlet or outlet system or to the speed governing system connections is prohibited.

General Inspection & Maintenance Rules

- n Make sure that all labels are present and legible.
- n Check that all protective guards, handles and wheels are undamaged.
- n Verify the proper level of the engine oil.
- n Inspect the fuel line for defects.
- n Inspect the gas tank cap. Make sure it is undamaged and secured tightly. Make sure there are no spills.
- n Check that the exhaust system is in good condition and not blocked.
- n Verify that the generator is properly grounded.
- n Make sure that all control panel switches are in good condition.
- n Make sure that all receptacles are in good condition.
- n Make sure all bolts and nuts are tight.
- n Make sure that nothing is stored on the generator.
- n Additionally, all cords and devices should be in good condition.

⚠ DANGER

Using a generator indoors CAN KILL YOU IN MINUTES. Generator exhaust contains carbon monoxide. This is a poison you cannot see or smell.



NEVER use inside a home or garage, EVEN IF doors and windows are open.



Only use OUTSIDE and far away from windows, doors and vents.

⚠ WARNING



SHOCK



FIRE

Always inspect fuel lines and electrical connections for defects and damage prior to operating the generator.

Generators vibrate during normal use. During and after the use of the generator, inspect the generator as well as extension cords and connected power supply cords for damage resulting from vibration.

Repair or replace damaged items as necessary.

DO NOT use plugs or cords that show signs of damage, such as broken or cracked insulation or loose or damaged blades.

Maintenance Schedule

ITEM	Maintenance	SERVICE FREQUENCY				
		Daily OR Each Use	First Month OR 20 Hours of Use	Every 3 Months OR 50 Hours of Use	Every 6 Months OR 100 Hours of Use	Every Year OR 200 Hours of Use
General Inspection	See Maintenance Rules	X	X			
Engine Oil	Check Oil Level	X				
	Change Oil		X		X	
Air Filter	Check	X				
	Clean			X*		
Fuel Sediment Cup	Clean			X*	X	
Spark Plugs	Clean/Replace				X	
Spark Arrestor	Clean				X	
Valve Clearance	Clean/Adjust					X**
Fuel Tank & Strainer	Clean					X**
Fuel Line	Check/Replace	Check Every 2 Years; Replace if necessary**				

*Clean more frequently when used in dusty areas.

**This maintenance should be preformed by an authorized service dealer.

Engine Oil

!WARNING

Crankcase pressure can cause hot engine oil to spray out of engine fill hole. Hot engine oil can cause severe burns.

Always stop engine before removing oil fill cap.

!WARNING

Frequent or prolonged contact with engine oil may cause skin cancer.

Immediately after handling engine oil, thoroughly wash hands and any areas of skin exposed to engine oil, using soap and water.

NOTICE

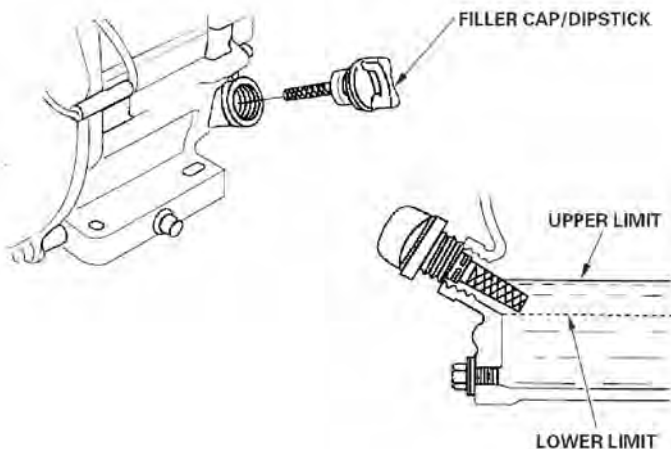
Dispose of used motor oil according to guidelines established by the local or state government.

It is recommended to put the oil in a sealed container and take it to a service station for recycling or proper disposal.

Do not dispose of oil in the trash, drain or ground due to the possibility of contamination.

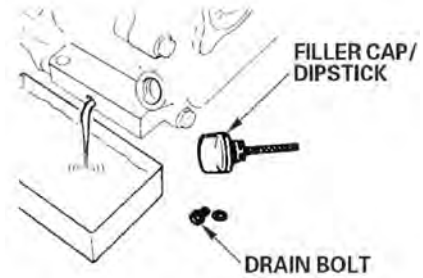
Checking Oil Level

1. Have your generator on a flat, level surface. Stop generator from running. Allow to completely cool.
2. Remove the oil filter cap and wipe the dipstick clean with a clean cloth.
3. Check the oil level by inserting the dipstick in the filter neck without screwing it in, then remove it. If the level is below the lower level line, add the recommended oil until the level reaches the upper mark on the dipstick.
4. When filled to the upper level line, the generator holds a maximum of .32oz (1 L) of oil.



Changing Engine Oil

1. Have your generator on a flat, level surface.
2. Drain the oil while the engine is warm to assure rapid and complete draining.
3. Place an oil pan or other suitable container for the oil underneath the generator oil drain plug.
4. Remove the drain plug and filter cap and drain oil into the oil pan or other suitable container.



5. Using a clean cloth, wipe off any dirt from the drain plug and filter cap, then retighten the drain plug.
6. Refill with the recommended oil and check the oil level (see below).
7. When filled to the upper level line, the generator holds a maximum of .32 oz(1 L) of oil.

UPPER LEVEL



Air Filter Cleaning

!WARNING



EXPLOSION



FIRE

Gasoline and flammable solvents can cause fire or explosion.

NEVER use gasoline or flammable solvents to clean the air filter.

Use only household soap and water to clean air filter.

!WARNING

Frequent or prolonged contact with engine oil may cause skin cancer.

Immediately after handling engine oil, thoroughly wash hands and any areas of skin exposed to engine oil, using soap and water.

NOTICE

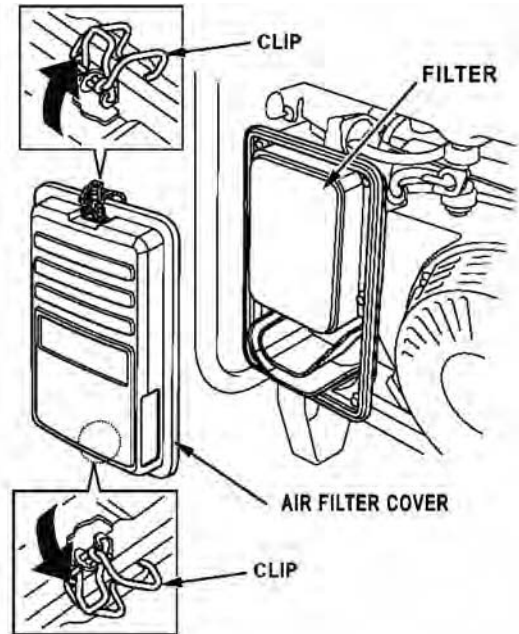
A dirty air filter will restrict airflow to carburetor, which may cause poor engine performance or damage.

Never run the generator without the air filter.

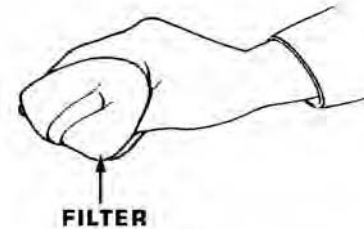
A dirty air filter will restrict airflow to the carburetor. To prevent poor engine performance or damage due to a carburetor malfunction, service the air filter regularly. Refer to the Maintenance Schedule for regular service intervals.

1. Turn the generator OFF.

2. Remove the air filter cover by removing the two clips on the cover.



3. Remove the air filter.
4. Wash the foam air filter using household soap and warm water.
5. Rinse thoroughly and dry completely.
6. Soak the air filter in clean engine oil and squeeze out the excess oil.



NOTICE

The engine will smoke during start-up if too much oil is left in the air filter.

Squeeze out all excess oil from filter.

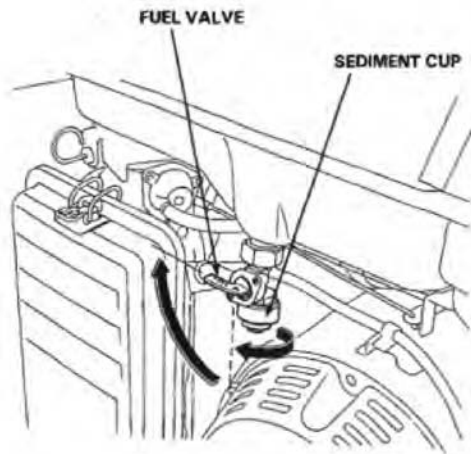
7. Reinstall the air filter and replace the air filter cover and clips.

Sediment Cup Cleaning

The sediment cup prevents dirt and water that may be in the fuel tank from entering the carburetor.

Refer to the Maintenance Schedule for regular service intervals.

1. Turn the generator OFF.
2. Have your generator on a flat, level surface.
3. Turn the fuel valve lever to the CLOSED position.
4. Remove the sediment cup.
5. Clean the cup and screen thoroughly with soap and water.
6. Use a clean cloth and wipe all pieces dry.
7. Reinstall the sediment cup, making sure the O-ring is in place.
8. Turn the fuel valve lever to the OPEN position.
9. Check for fuel leaks.



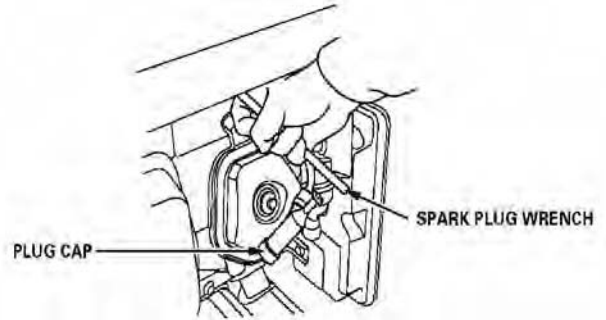
Spark Plug Service

Recommended spark plugs: NGK-BR6HS

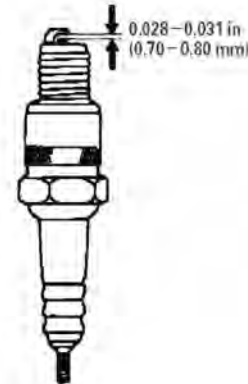
To ensure proper engine operation, spark plug must be properly gapped and free of deposits. Refer to the Maintenance Schedule for regular service intervals.

1. Turn the generator OFF.
2. Have your generator on a flat, level surface.
3. Remove the spark plug cap. Clean any dirt or debris from around the spark plug base.

4. Use a $\frac{13}{16}$ " spark plug socket wrench to loosen and remove the spark plug.



5. Inspect the spark plug. If the insulator is cracked or chipped, discard plug and replace with a new spark plug. If the spark plug is in good condition, clean the spark plug with a wire brush.
6. Measure the plug gap with a feeler gauge. The correct gap should be 0.028 – 0.031 in. (0.70 – 0.80 mm). If the gap is incorrect, be careful when bending the side electrode.



7. Make sure the spark plug washer is in good condition.
8. Reinstall the spark plug by hand. This will prevent cross-threading.
9. After the spark plug is seated, tighten with spark plug wrench to compress the washer.
 - n When reinstalling a used spark plug, tighten $\frac{1}{8}$ - $\frac{1}{4}$ turn after the spark plug seats in order to compress the washer.
 - n When installing a new spark plug, tighten $\frac{1}{2}$ turn after the spark plug seats in order to compress the washer.

NOTICE

Spark plug must be securely tightened.

An improperly tightened spark plug can become very hot and could damage the engine.

Never use spark plugs that have an improper heat range.

Use only recommended spark plugs or equivalent.

Spark Arrestor Maintenance

The generator muffler is equipped with a spark arrestor that must be cleaned.

Refer to the Maintenance Schedule for regular service intervals.

1. Turn the generator OFF.
2. Have your generator on a flat, level surface.
3. Loosen and Remove the screws that attach the muffler screen to the exhaust pipe of the muffler.
4. Use a brush and remove any debris or deposits from the screen.
5. Inspect the screen for any breaks or tears. If necessary, replace screen.
8. Replace and tighten the screws to reattach the muffler screen to the exhaust pipe of the muffler.

Cleaning Exterior of Generator

1. Do not spray the generator with water or a garden hose.
2. Wipe surface with a damp cloth or use a soft brush to remove dirt or dust.
3. Cover generator with a clean cover.

NOTICE

**Never cover a generator when running or when hot.
Cover a generator only after the generator is cool.**

⚠ WARNING



HOT SURFACE

Muffler reaches temperatures that can cause serious burns if touched.

NEVER touch hot surfaces.

TRANSPORTING & STORAGE

⚠ DANGER



EXPLOSION



FIRE

Fuel and fuel vapors are extremely flammable and explosive under certain conditions.

Refuel generator only outdoors, in a ventilated area.

NEVER fill fuel tank while engine is running. Turn generator OFF and allow to cool before filling with fuel.

NEVER smoke or allow flames or sparks near generator or where gasoline is stored.

NEVER overfill fuel tank. No fuel should be above the filter shoulder. After refueling, be sure that the fuel tank cap is closed properly and securely.

Be careful not to spill fuel when refueling. Spilled fuel or fuel vapor may ignite. If any fuel is spilled, be sure area is dry before starting engine.

Avoid repeated or prolonged contact with skin, or breathing of vapor.

⚠ WARNING



EXPLOSION



HOT SURFACE

Hot engine or exhaust system can cause serious burns or fires.

Cool generator completely before transporting or storing.

Transporting

1. Turn the engine switch to the OFF position.
2. Turn the fuel valve lever to the CLOSED position.
3. Keep the generator level to prevent fuel spillage.

NOTICE

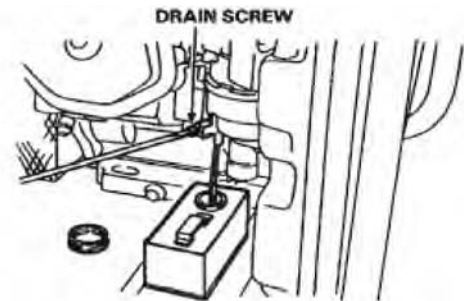
To avoid damage to generator, take care not to drop or strike generator when transporting.

Do not place heavy objects on generator.

Storage

Before storing the generator for an extended period of time:

1. Be sure the storage area is free of excessive humidity and dust.
2. Turn fuel valve lever to the CLOSED position.
3. Remove the sediment cup.
4. Turn the fuel valve lever to the OPEN position.
5. Drain fuel into a suitable container for gasoline.
6. Replace the sediment cup and tighten securely.
7. Drain the carburetor by loosening the drain screw. Drain gasoline into a suitable container.



8. Change the engine oil.
9. Remove the spark plug cap and pour a tablespoon of clean engine oil into the cylinder. (A tablespoon is equal to 0.5 oz, or approximately 15 mL.) Put a clean cloth over the spark plug hole. Crank the engine several revolutions to distribute the oil. Reinstall the spark plug.
10. Slowly pull the starter grip until resistance is felt. At this point, the piston is coming up on its compression stroke and both the intake and exhaust valves are closed. Storing the engine in this position will help to protect it from internal corrosion.
11. Cover the engine to prevent dust from getting in.

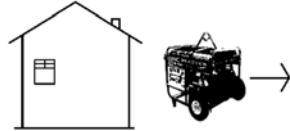
TROUBLESHOOTING

⚠ DANGER

Using a generator indoors **CAN KILL YOU IN MINUTES.**
 Generator exhaust contains carbon monoxide.
 This is a poison you cannot see or smell.



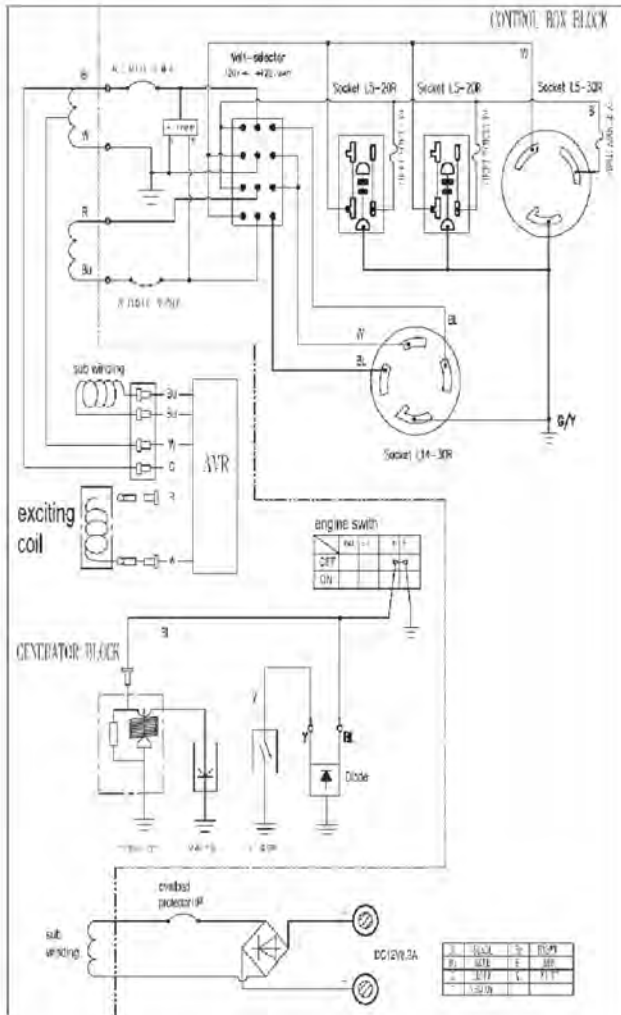
NEVER use inside a home or garage, EVEN IF doors and windows are open.



Only use OUTSIDE and far away from windows, doors and vents.

PROBLEM	POSSIBLE CAUSE	POSSIBLE SOLUTION
Engine does not start	No fuel Low oil level Engine switch is not ON Fuel valve is not open Spark plug cable is loose or detached Spark plug is defective Load is attached Uneven surface	Add fuel Add oil Turn engine switch ON Open fuel valve Connect spark plug cable tightly Replace spark plug Remove load Place generator on a level surface
Unrestrained/rapid engine speed	Defective governor	Contact authorized service center
Generator lacks sufficient power	Generator is overloaded Poor ventilation Clogged/dirty air filter	Remove overload Operate generator in a well-ventilated area Clean or replace air filter
Generator is overheating	Generator is overloaded Poor ventilation	Remove overload Operate generator in a well-ventilated area
No AC output	Tripped circuit breaker Cord is not properly connected Wiring is loose Faulty device	Disconnect load and reset breaker Connect cord properly Tighten connections Replace device
No DC output	Tripped circuit breaker	Disconnect load and reset breaker
Exhaust is black	Choke position closed Dirty air filter Incorrect fuel	Open choke Clean or replace filter Use correct fuel
Circuit breaker trips repeatedly	Generator is overloaded Faulty cord or device	Remove overload Replace cord or device
Engine stops	Out of fuel Low oil Uneven surface Poor ventilation	Add fuel Add oil Place generator on a level surface Operate generator in a well-ventilated area

WIARING DIAGRAM SIERRA4800



Generator Model	SIERRA 4800
Rated Output	4000 Watts
Maximum Output	4800 Watts
Frequency	60 Hz
Voltage	120/240 Volts
Rated Amps (120V/240V)	33.4/16.7 amps
Engine	
Engine Type	Subaru-Robin-EX30
Horsepower	9.5 hp
Engine Speed	3600 RPM
Displacement	287cc
Compression Ratio	8.5:1
Fuel	Gasoline
Cooling System	Air Cooled
Fuel Tank Capacity/Run Time	7.4 Gal/14 hrs @ 50% load
Engine Oil Capacity	.32oz (1)L
Spark Plug Type	NGK-BR6HS
Features	
Starting	Recoil
Automatic Idle Control	N/A
Low Oil Shut Off System	Yes
Digital Voltage, Frequency & Hour Meter	Digital Voltage, Frequency & Hour Meter
Voltage Power Selection Switch 120V/240V	Yes
Ground Fault Circuit Interrupter (G.F.C.I.)	Yes
Sky Hook	N/A
Fuel Gauge	Yes
Spark Arrestor	Yes
Alternator	Brush
Dimensions	
Length	42.9 inches (1090 mm)
Width	29.1 inches (740 mm)
Height	28.0 inches (710 mm)
Dry Weight	168.6 bs (76.5 kg)
Tires	10 inch
Battery Included / Type	N/A
Comes complete with	2 Handles, 2 Wheels, 2 Stands

CALIFORNIA AIR TOOLS INC. LIMITED WARRANTY

This warranty is limited to the GMC Portable Gasoline Generators distributed by:

California Air Tools, Inc.
8560 Siempre Viva Road, Unit 3A
San Diego, CA 92154

Limited Warranty

California Air Tools Inc. will repair or replace, free of charge, to the original retail customer who purchased a GMC Portable Gasoline Generator from an authorized dealer, distributor or distributor's dealer in North America.

This warranty does not transfer to subsequent owners.

California Air Tools Inc. will repair or replace, at its option, any parts of the portable generator that are proven by an authorized service center to be defective in material or workmanship under normal use during the applicable warranty time period as stated below. This limited warranty covers the cost of the replacement parts and labor for all defects when installed by an authorized service center. Transportation charges are the responsibility of the customer. Any part replaced under warranty becomes the property of California Air Tools Inc.

All parts replaced under warranty will be considered as part of original product, and any warranty on those parts will expire coincident with the original product warranty.

Limited Warranty Periods

Non-commercial / Non-rental (personal use by a retail customer):	3 years parts and labor
Commercial / Rental (usage for income, business use):	3 year parts and labor (Engine only)
	3 year other components

The limited warranty period begins on the date of retail purchase by the original purchaser.

Disclaimers, Limitations of Remedies & Exclusions

This warranty gives you specific legal rights, and you may also have other rights which may vary from state to state.

Disclaimer of Other Warranties

To the fullest extent permitted by applicable law, this limited warranty is exclusive and expressly in lieu of any and all other warranties, including, without limitation, any implied warranties of merchantability or fitness for a particular purpose or any other implied warranties that may arise from the course of dealing or usage of the trade. California Air Tools Inc. hereby disclaims and excludes all other warranties. To the extent that California Air Tools Inc. products are consumer products under applicable federal and state law with respect to any customer, the duration of any implied warranties (including but not limited to implied warranties of merchantability or fitness for a particular purpose) are limited to the shortest duration permitted by applicable law or the Limited Warranty period provided herein, whichever is longer.

Limitations of Remedies

California Air Tools Inc. shall not be liable to customer, or anyone claiming under customer, for any other obligations or liabilities, including but not limited to, obligations or liabilities arising out of breach of contract or warranty, negligence or other tort or any theory of strict liability, with respect to the generator or California Air Tools Inc. acts or omissions or otherwise. To the fullest extent permitted by applicable law California Air Tools Inc. shall not in any event be liable for incidental, compensatory, punitive, consequential, indirect, special or other damages, including but not limited to loss of use, loss of income, loss of time, loss of sales, injury to personal property, or liability customer incurs with respect to any other person, or any other type or form of consequential damage or economic loss.

Exclusions

In addition to the foregoing disclaimers, limitations and terms, this limited warranty shall not apply to and does not cover accessories, nor does it cover products that are in any way subject to any of the following:

1. Improper setup, installation or storage.
2. Lack of proper maintenance and service.
3. Accident, damage, abuse or misuse.
4. Abnormal operating conditions or applications.
5. Repair or modification by customer or any third party without written consent of California Air Tools Inc.
6. Use under operating conditions or in applications not recommended by California Air Tools Inc.
7. Normal wear.
8. Fuel contamination or deterioration.
9. Acts of God.

The application of these exclusions will be determined at the sole discretion of California Air Tools Inc.

Registration

Warranty registration with California Air Tools Inc. GMC Portable Gasoline Generators is required on all products.

You can mail the enclosed registration form or fill it out online at www.GMCGENERATORS.com.

Warranty is also available by keeping and showing your original receipt from the date of purchase to an Authorized California Air Tools GMC Portable Gasoline Generator service center.

Service

Do not return your generator to the place of purchase or any GMC car/truck dealership.

For all customer service inquiries, call California Air Tools GMC Generator Customer Service at 1-866-409-4581 or visit www.GMCGENERATORS.com.

PRODUCT REGISTRATION

To register your product, please complete the information below and mail to the mailing address at the end of this form, or register online at www.GMCGENERATORS.com.

1. Personal Information:

Full Name (Include Middle Initial): _____

Mailing Address: _____

City: _____ State: _____ Zip Code: _____

Phone Number: _____

E-mail Address: _____

(Check here to receive product information and offers via e-mail)

(Check here to receive product information from other companies via e-mail)

2. Product Information:

Date of Purchase: _____ (MM / DD / YYYY)

Model Number: _____

Serial Number: _____ (Found on nameplate)

Purchased Location: _____

Purchase Price: _____

Type of Primary Use for this Product: Home Recreation Emergency Rental Commercial

Other _____

Features Influencing Product Purchase: Brand Portability Power Rating Price Warranty

Other Features (describe) _____

What other Power Equipment are you interested in purchasing in the future? _____

Thank you for registering your product.

Mail to:
California Air Tools
8560 Siempre Viva Road, Unit 3A
San Diego, CA 92154