



Concrete Vibrators and Grinders

April 2011 Parts Price List

All prices are in U.S. dollars



Contents: Page

Flexible Shafts Repair Service	1
Grounded Motors Parts List	2
Vibrator Heads Parts List	3-4
BP-35 Parts List	5
BP-50a Parts List	6
GV-5 Parts List	7
GV-5W Parts List	8
Ceiling Grinder Parts List	9
Rebar Shaker Parts List	10
Parts Listing by Stock No.	11-14
Replacement Inner Cores & Outer Casings	15-18

PROUDLY MADE IN



*It must say "OZTEC" to be the
industry's best concrete vibrator*

NOW YOU CAN SALVAGE BROKEN OR KINKED FLEXIBLE SHAFTS



AN EXCLUSIVE OZTEC SERVICE

Simply send the shafts to us and we will cut them down to the next standard length and install new couplings. Long shafts broken toward the middle may be cut into two shafts.

OFFER THIS MONEY SAVING SERVICE TO YOUR GOOD CUSTOMERS OR INCREASE PROFITS IN YOUR OWN RENTAL STOCK.

Total charge to install couplings, per end: **\$93 List.**
F.O.B. Factory.

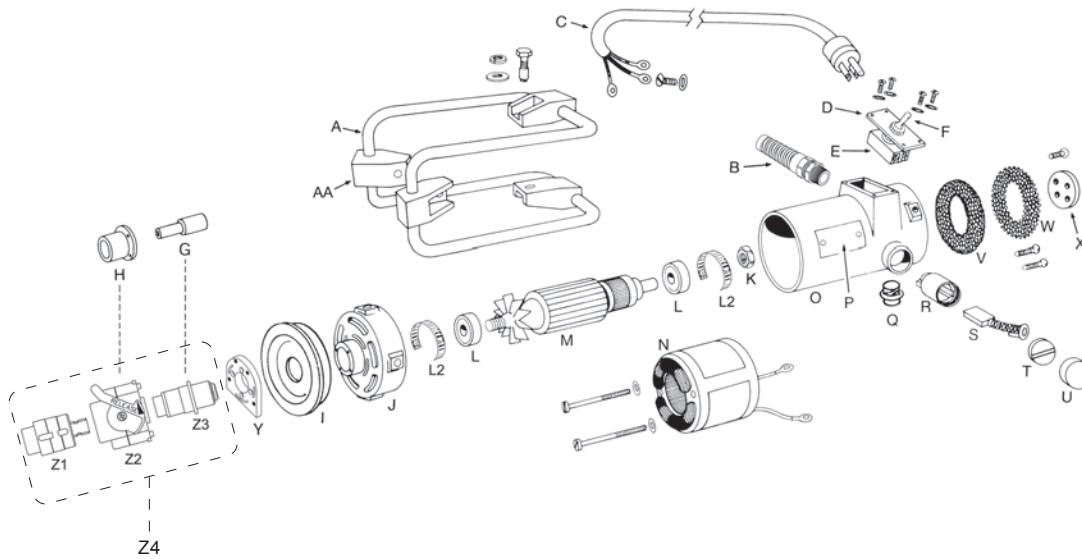
EXTEND THE LIFE OF YOUR FLEXIBLE SHAFTS BY LUBRICATING WITH OZTEC FLEXI-LUBE



Flexi-Lube eliminates metal to metal contact between core and casing that causes shafts to wear out before their time. Periodic use will definitely extend service life and keep your shafts running at peak efficiency.

OUTLASTS CONVENTIONAL GREASES MANY TIMES.

P/N.	Size	List Price
21B1	1 lb. Container	\$17.00
21C1	5 lb. Container	\$56.00



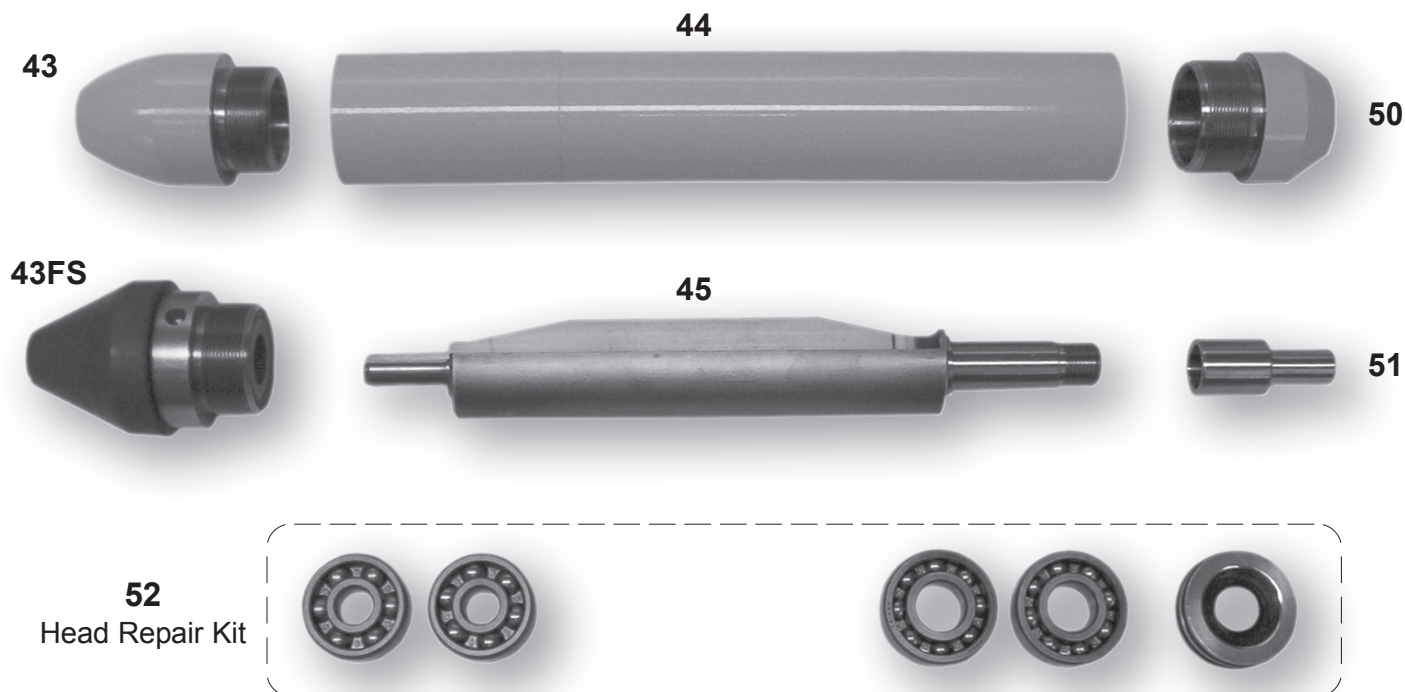
ALL CORE ADAPTERS \$ 28.72
 ALL CASING ADAPTERS \$ 33.51
 EXCEPT TYPE SS (QD) \$ 55.52
 NYLON INSERT LOCKNUT \$ 1.28

OZTEC MOTOR STYLE	G CORE ADAPTER	H CASING ADAPTER	K NUT
D	271F1	270AA1	72AJ1
JE	271S1	270M1	72AJ1
QE	271CX1	270EX1	72AJ1
CE	271FK1	270LB1	72AJ1
DP	271FA1	270KL1	72AJ1
ST	271M1	270S1	72AJ1
S	271C1	270N1	72AJ1
SS	271K2	270Y2	72AJ1
MM	271N3	270W1	72AH1
MV	271H1	270AC1	72AH1
M	271L1	270K1	72AH1
MK	271CP1	270EC1	72AJ1
OZ	271N3	270P2	72AH1
DVS	271N4	270P1	72AJ1
RL	271D2	270AB1	72AJ1
R	271P1	270AB1	72AJ1
T	271N2	270T1	72AJ1
TT	271V1	270AD1	72AJ1
V	271N4	270R1	72AJ1
W	271D1	270V1	72AH1
WW	271D1	270X1	72AH1
WS	271EV1	270V1	72AH1
WL	271EV1	270X1	72AH1

NOTE: CORD ASSEMBLY [PART No. 174J1] IS "TWIST LOCK" TYPE - NEMA CODE L5-20P.

Ref. #	Description	MODEL 1.2		MODEL 1.8		MODEL 2.4		MODEL 3.2	
		Part #	List Price	Part #	List Price	Part #	List Price	Part #	List Price
A	FRAME ASSEMBLY	6825A1	\$ 66.06	6825A2	\$ 75.94	6825A2	\$ 75.94	6825A3	\$ 82.65
AA	SHOCK MOUNT	319B2	\$ 12.77	319A2	\$ 12.77	319A2	\$ 12.77	319A2	\$ 12.77
B	THREADED STRAIN RELIEF ASSY.	334D2	\$ 13.76	334D2	\$ 13.76	334D2	\$ 13.76	334D2	\$ 13.76
C	CORD ASSEMBLY	174BF1	\$ 31.91	174BF1	\$ 31.91	174BG1	\$ 31.91	174BG1	\$ 31.91
D 115V	SWITCH PLATE ASSEMBLY 115V	102A2	\$ 9.25	102A4	\$ 9.25	102A6	\$ 9.25	102A8	\$ 9.25
230V	SWITCH PLATE ASSEMBLY 230V	N/A	---	102A5	\$ 9.25	102A7	\$ 9.25	102A9	\$ 9.25
E	SWITCH	177A1	\$ 20.11	177A1	\$ 20.11	177A1	\$ 20.11	177A1	\$ 20.11
F	RUBBER BOOT (SWITCH)	34A1	\$ 7.02	34A1	\$ 7.02	34A1	\$ 7.02	34A1	\$ 7.02
G & H	CORE & CASING ADAPTER	SEE CHART	---	---	---	---	---	---	---
I	BAFFLE ASSEMBLY	46G1	\$ 7.02	46G2	\$ 8.31	46G2	\$ 8.31	46G3	\$ 9.57
J	END BELL	324A1	\$ 43.40	324B1	\$ 46.91	324B1	\$ 46.91	324C1	\$ 53.29
K	NYLON INSERT LOCKNUT	SEE CHART	---	---	---	---	---	---	---
L	BEARINGS (2)	207R1	\$ 19.15	207S1	\$ 19.15	207S1	\$ 19.15	207S1	\$ 19.15
L2	TOLERANCE RING (2)	173D1	\$ 5.75	173E1	\$ 5.75	173E1	\$ 5.75	173E1	\$ 5.75
M 115V	ARMATURE 115V	6825B1	\$ 125.08	6825C1	\$ 144.22	6825D1	\$ 173.58	6825E1	\$ 225.91
230V	ARMATURE 230V	N/A	---	6825C2	\$ 164.01	6825D2	\$ 194.00	6825E2	\$ 246.32
N 115V	FIELD 115V	221A1	\$ 104.66	221B1	\$ 122.84	221C1	\$ 126.66	221D1	\$ 158.27
230V	FIELD 230V	N/A	---	221F1	\$ 141.98	221G1	\$ 150.61	221H1	\$ 178.68
O	HOUSING	368J1	\$ 140.71	368K1	\$ 150.29	368K1	\$ 150.29	368L1	\$ 166.55
	HOUSING, OLD STYLE STRAIN RELIEF	368A1	\$ 140.71	368B1	\$ 150.29	368B1	\$ 150.29	368C1	\$ 166.55
P	NAME PLATE	NOT SOLD	---	---	---	---	---	---	---
Q	ACCESS PORT PLUG	444C1	\$ 3.51	444C1	\$ 3.51	444C1	\$ 3.51	444C1	\$ 3.51
R	BRUSH HOLDER	178A1	\$ 10.86	178A2	\$ 12.77	178A2	\$ 12.77	178A3	\$ 15.96
S	BRUSH	240A1	\$ 6.38	240A2	\$ 7.02	240A2	\$ 7.02	240A3	\$ 8.95
T	SCREW CAP	329B1	\$ 3.20	329B2	\$ 3.20	329B2	\$ 3.20	329B2	\$ 3.20
U	PROTECTIVE CAP, THREADED	329E1	\$ 5.42	329E2	\$ 5.42	329E2	\$ 5.42	329E2	\$ 5.42
*Non UL	PUSH-ON PROTECTIVE CAP	[*329A1]	\$ 5.42	[*329A2]	\$ 5.42	[*329A2]	\$ 5.42	[*329A2]	\$ 5.42
V	FILTER	47A1	\$ 3.51	47A2	\$ 4.15	47A2	\$ 4.15	47A3	\$ 5.10
W	FILTER SCREEN	49A1	\$ 7.02	49A2	\$ 8.31	49A2	\$ 8.31	49A3	\$ 10.52
X	COVER	346B1	\$ 7.02	346B1	\$ 7.02	346B1	\$ 7.02	346B1	\$ 7.02
Y	Q.D. SPACER	462AM1	\$ 14.68	462AM1	\$ 14.68	462AM1	\$ 14.68	462AM1	\$ 14.68
Z1	OZ QD CASING COUPLING ASSY.	217A1	\$ 9.11	217A1	\$ 9.11	217A1	\$ 9.11	217A1	\$ 9.11
Z2	OZTEC QD CASING ADAPTER ASSY.	270MX1	\$ 21.88	270MX1	\$ 21.88	270MX1	\$ 21.88	270MX1	\$ 21.88
Z3	OZTEC QD CORE ADAPTER ASSY.	271GT1	\$ 23.10	271GT1	\$ 23.10	271GT1	\$ 23.10	271GT1	\$ 23.10
Z4	OZTEC QD KIT	OZQDKIT	\$ 45.59	OZQDKIT	\$ 45.59	OZQDKIT	\$ 45.59	OZQDKIT	\$ 45.59

NOTE: ALL REQUIRED HARDWARE IS INCLUDED WITH EACH PART.



Note: Head Repair Kit shown includes 2 Front Bearings, 2 Rear Bearings and Seal Assembly.

Head sizes are nominal, actual sizes may vary 1/16 to 1/8 Inch.

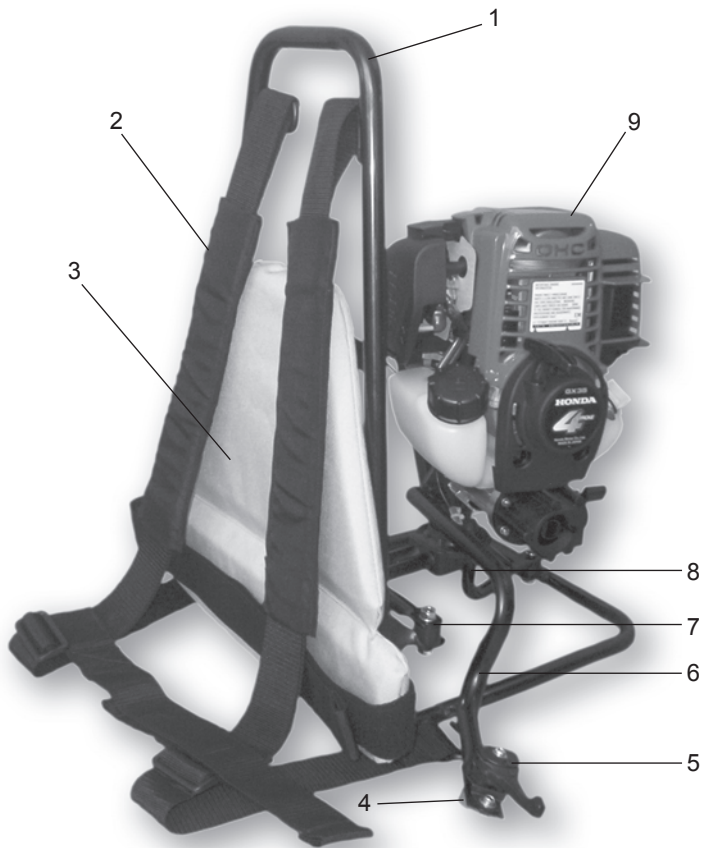
HEAD SIZE	43 - Steel Tip		43FS - Form Saver Tip		44 - Housing		45 - Rotor			52 - Head Repair Kit	
	Part No.	List Price	Part No.	List Price	Part No.	List Price	RH Part No.	LH Part No.	List Price	Part No.	List Price
3/4"	390A1	\$44.98	390K1	\$82.67	367A1	\$58.72	496A1	496A2	\$53.29	225A1	\$65.09
1"	390B1	\$46.59	390L1	\$84.27	367B1	\$64.13	496B1	496B2	\$58.72	225B1	\$78.18
1-1/4"	390C1	\$50.42	390M1	\$92.97	367C1	\$69.55	496C1	496C2	\$64.13	225C1	\$89.03
1-1/2"	390D1	\$53.29	390N1	\$101.90	367D1	\$73.70	496D1	496D2	\$72.44	225D1	\$92.55
1-3/4"	390E1	\$54.56	390P1	\$104.39	367E1	\$80.72	496E1	496E2	\$77.85	225E1	\$100.19
2"	390F2(RH)	\$59.99	390R2(RH)	\$112.26	367F2(RH)	\$88.70	496F1	--	\$83.29	225F1	\$100.19
	390F3 (LH)		390R3 (LH)		367F3 (LH)		--	496F2			
2-1/2"	390G1	\$65.73	390S1	\$120.42	367G1	\$102.41	496G1	496G2	\$92.85	225G1	\$104.02

For 50 & 51 Parts - See Next Page.

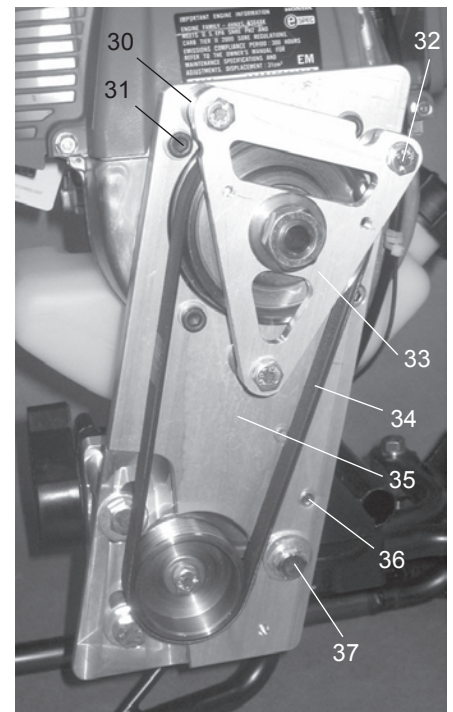
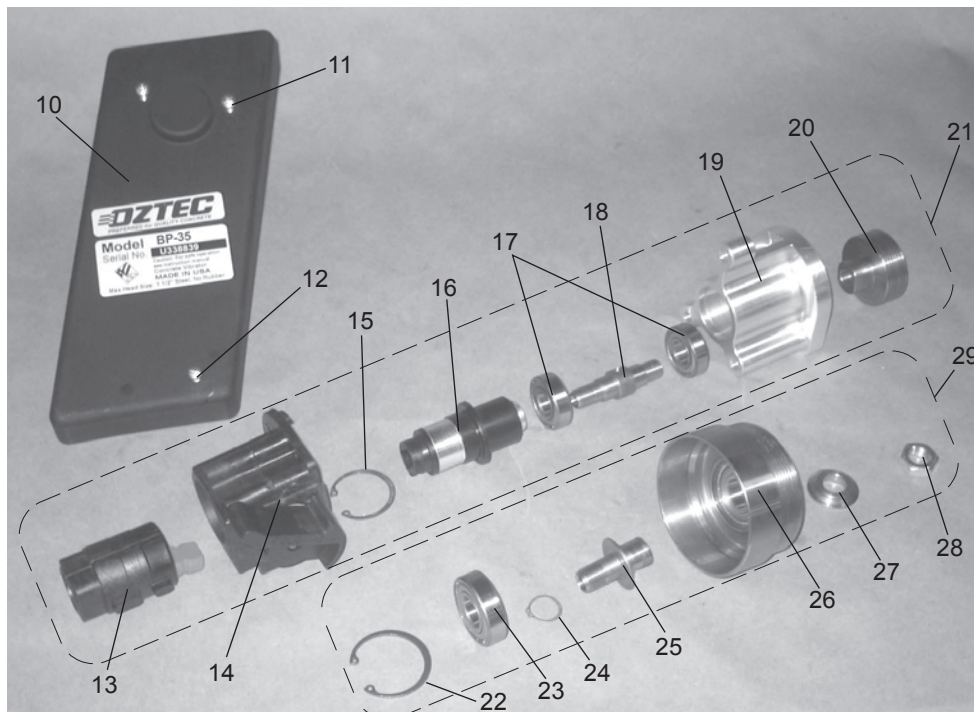
NOTE: ALL REQUIRED HARDWARE IS INCLUDED WITH EACH PART.

MAKE	STYLE	ROTATION	DIA. (In.)	50. CASING ADAPTER		51. CORE ADAPTER	
				Part #	List Price	Part #	List Price
DENVER / DART	D	R.H.	1-1/2	270BX1	\$37.01	271BN1	\$31.28
			1-3/4	270CS1	\$44.98	271BP1	\$31.28
			2	270DG1	\$44.98	271BP1	\$31.28
			2-1/2	270DV1	\$44.98	271BP1	\$31.28
DREYER	JE	R.H.	1	270AV1	\$37.01	271CG1	\$31.28
			1-1/4	270BD1	\$37.01	271BF1	\$31.28
			1-1/2	270BM1	\$37.01	271CM1	\$31.28
			1-3/4	270CD1	\$44.98	271BG1	\$31.28
DREYER	QE	R.H.	1-1/4	270EY1	\$37.01	271BF1	\$31.28
			1-3/4	270FB1	\$44.98	271BG1	\$31.28
			2	270FA1	\$44.98	271BG1	\$31.28
			2-1/2	270FC1	\$44.98	271BG1	\$31.28
DUNRITE	DV	R.H.	1	270AL2	\$37.01	271CF2	\$31.28
MASTER	ML	L.H.	3/4	270AH1	\$37.01	271BX1	\$31.28
MASTER	MM	L.H.	1-1/4	270BK1	\$37.01	271AD1	\$31.28
			1-1/2	270BV1	\$37.01	271AK1	\$31.28
			1-3/4	270CM1	\$44.98	271AT1	\$31.28
			2	270DE1	\$44.98	271AT1	\$31.28
			2-1/2	270DS1	\$44.98	271AT1	\$31.28
McGINNIS	MG	R.H.	1	270ER1	\$37.01	271CF2	\$31.28
			1-1/4	270BF1	\$37.01	271BD2	\$31.28
			1-1/2	270EP1	\$37.01	271AJ2	\$31.28
			1-3/4	270EV1	\$44.98	271AM1	\$31.28
MIKASA	MK	R.H.	1-1/2	270EB1	\$37.01	271CP1	\$28.72
OZTEC	OZ	L.H.	7/8	270AG1	\$37.01	271BY2	\$31.28
OZTEC	OZ	L.H.	1	270AM1	\$37.01	271CC1	\$31.28
			1-1/4	270BA1	\$37.01	271AD2	\$31.28
			1-1/2	270BP1	\$37.01	271AK2	\$31.28
			1-3/4	270CB1	\$44.98	271AT1	\$31.28
			2	270DA1	\$44.98	271AT1	\$31.28
			2-1/2	270DM1	\$44.98	271AT1	\$31.28
REMINGTON	R	R.H.	1-3/4	270CH1	\$44.98	271AY1	\$31.28
			2	270DC1	\$44.98	271AY1	\$31.28
			2-1/2	270DP1	\$44.98	271AY1	\$31.28
REMINGTON	RV	R.H.	1	270AK2	\$37.01	271CE1	\$31.28
			1-1/4	270BC1	\$37.01	271CK1	\$31.28
			1-3/4	270CC1	\$44.98	271AW1	\$31.28
SKILL	SK	R.H.	1	270ER1	\$37.01	271CF2	\$31.28
			1-1/4	270BF1	\$37.01	271BD2	\$31.28
			1-1/2	270EB1	\$37.01	271EP1	\$31.28
STOW	SS	R.H.	1-1/4	270BH1	\$37.01	271CJ1	\$31.28
			1-1/2	270BS1	\$37.01	271AL1	\$31.28
			1-3/4	270CJ1	\$44.98	271AW1	\$31.28
			2	270DD1	\$44.98	271AV2	\$31.28
			2-1/2	270DR1	\$44.98	271AV2	\$31.28
STOW	ST	R.H.	7/8	270AJ1	\$37.01	271CA1	\$31.28
			1	270AS1	\$37.01	271CF1	\$31.28
			1-1/4	270AY1	\$37.01	271BD1	\$31.28
THOR	T	R.H.	1-1/4	270BJ1	\$37.01	271BD1	\$31.28
			1-1/2	270BT1	\$37.01	271AJ1	\$31.28
			1-3/4	270CK1	\$44.98	271AM1	\$31.28
			2	270KF1	\$44.98	271AM1	\$31.28
			2-1/2	270KG1	\$44.98	271AM1	\$31.28
THOR	TT	R.H.	1-3/4	270CP1	\$44.98	271AV2	\$31.28
			2-1/2	270DT1	\$44.98	271AV2	\$31.28
THOR	TV	R.H.	1	270AL1	\$37.01	271CF1	\$31.28
VIBER	V	R.H.	1	270AT1	\$37.01	271CF2	\$31.28
			1-1/4	270AX1	\$37.01	271BD2	\$31.28
			1-1/2	270BN1	\$37.01	271AJ2	\$31.28
			1-3/4	270CA1	\$44.98	271AS1	\$31.28
			2	270CY1	\$44.98	271AS1	\$31.28
WYCO	WE	L.H.	2-1/2	270DL1	\$44.98	271AS1	\$31.28
			1	270AR1	\$37.01	271CH1	\$31.28
			1-1/4	270BE1	\$37.01	271BJ1	\$31.28
WYCO	WF	L.H.	1-1/2	270BW1	\$37.01	271BL1	\$31.28
			1-3/4	270CN1	\$44.98	271BM1	\$31.28
WYCO	WH	L.H.	1-3/4	270CT1	\$44.98	271BM1	\$31.28
			2	270DH1	\$44.98	271BM1	\$31.28
			2-1/2	270DW1	\$44.98	271BM1	\$31.28

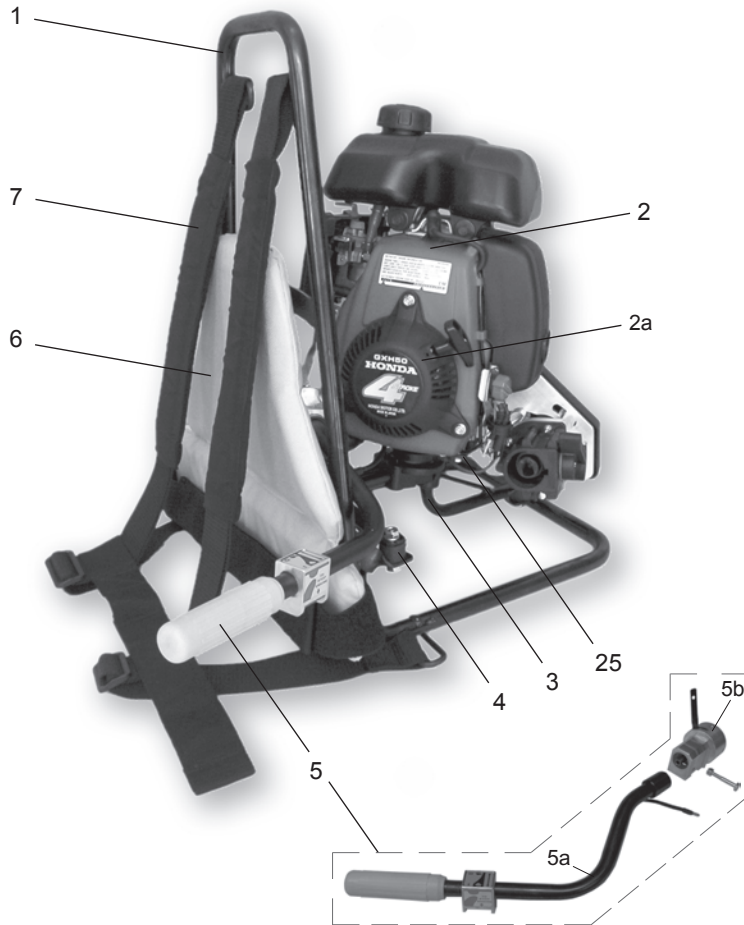
NOTE: ALL REQUIRED HARDWARE IS INCLUDED WITH EACH PART.



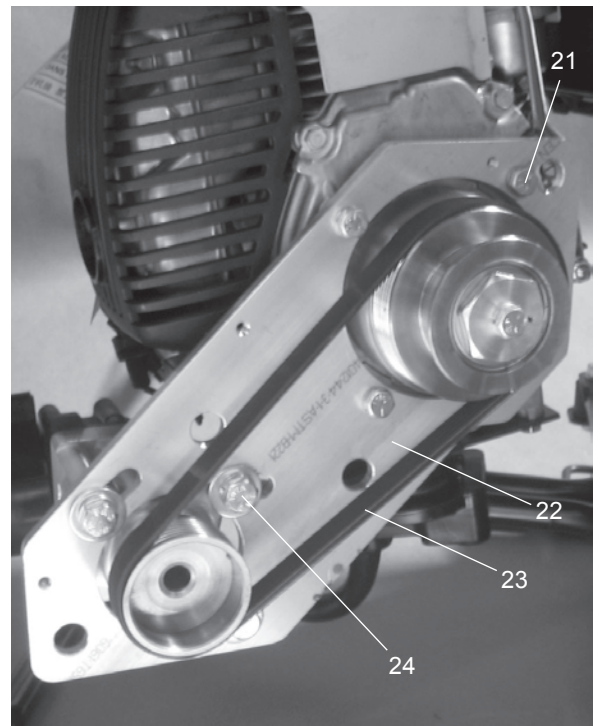
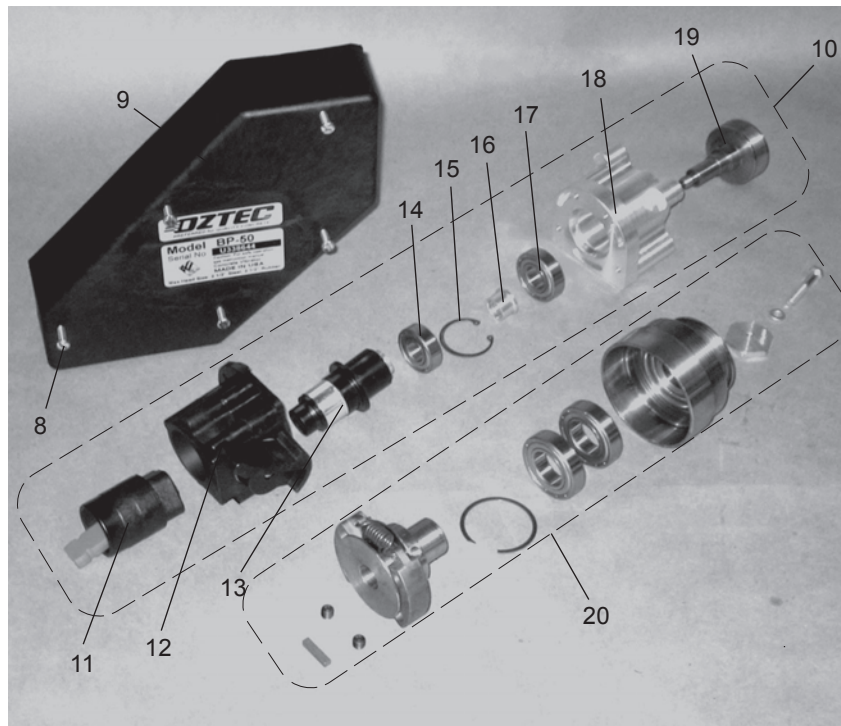
Ref.#	Description	Part #	List Price
1	BP35 FRAME	374AR1	\$ 156.99
2	BP35 SHOULDER STRAP ASSY.	478C1	\$ 56.16
3	BACKPACK PAD With VELCRO STRAP	45B1	\$ 93.17
4	BP35 STOP BUTTON & CABLE ASSY.	177M1	\$ 16.28
5	BP35 THROTTLE HANDLE & CABLE ASSY.	31F1	\$ 48.51
5a	BP35 THROTTLE HANDLE	388P2	\$ 24.26
6	BP35 THROTTLE ARM & ENGINE MOUNT	316AE1	\$ 49.78
7	RUBBER SHOCK MOUNTS (3)	319D1	\$ 8.31
8	BP35 SPIDER ASSY.	170H1	\$ 54.88
9	HONDA GX35NS3 GAS ENGINE, 35CC	6850AD1	\$ 570.30
10	BP35 BELT COVER	346M1	\$ 30.63
11	PAN SLOTTED HEAD SCREW 10-32*3/4" (2)	111D99	\$ 0.83
12	PAN SLOTTED HEAD SCREW 10-32*2" (1)	111D106	\$ 0.83
13	OZTEC QD CASING COUPLING ASSY.	217A1	\$ 9.11
14	OZTEC QD. CASING ADAPTER ASSY.	270MX1	\$ 21.88
15	SNAP RING, BEARING HOUSING	172C28	\$ 1.92
16	BP35 QD CORE ADAPTER ASSY.	271GT2	\$ 23.10
17	BP35 BEARING BLOCK BEARING KIT	230D1	\$ 38.93
18	BP35 BEARING BLOCK SPINDLE	228BX1	\$ 30.63
19	BP35 BEARING HOUSING ASSY.	398B1	\$ 93.17
20	BP35 DRIVEN PULLEY	265H1	\$ 46.59
21	BP35 COMPLETE DRIVEN BLOCK ASSY.	6750H1	\$ 261.92
22	SNAP RING, PULLEY BEARING	172D15	\$ 1.92
23	BEARING, CLUTCH PULLEY	207R4	\$ 19.46
24	SNAP RING, PULLEY HUB	172B23	\$ 0.62
25	BP35 CLUTCH PULLEY HUB	397E1	\$ 45.94
26	BP35 CLUTCH DRUM, DRIVER PULLEY	360D1	\$ 40.83
27	BP35 HUB WASHER	131W1	\$ 3.51
28	BP35 HUB LOCKING NUT	72G20	\$ 1.92
29	BP35 CLUTCH DRUM ASSY.	6150A1	\$ 110.01
30	BP35 PULLEY SUPPORT PLATE SPACERS (3)	462AP1	\$ 9.57
31	TRANS. MOUNTING PLATE SCREWS (4)	111R47	\$ 0.51
32	PULLEY SUPPORT PLATE SCREWS (3)	58A3	\$ 0.83
33	BP35 PULLEY SUPPORT PLATE, TRIANGULAR	386CE1	\$ 53.61
34	BP35 POLY-V BELT 6 GROOVE	37D3	\$ 44.68
35	BP35 TRANSMISSION MOUNTING PLATE	386CF1	\$ 79.14
36	MOUNTING BRACKET SCREWS (2)	58A28	\$ 0.83
37	BEARING BLOCK HOUSING SCREWS (3)	58A29	\$ 0.83



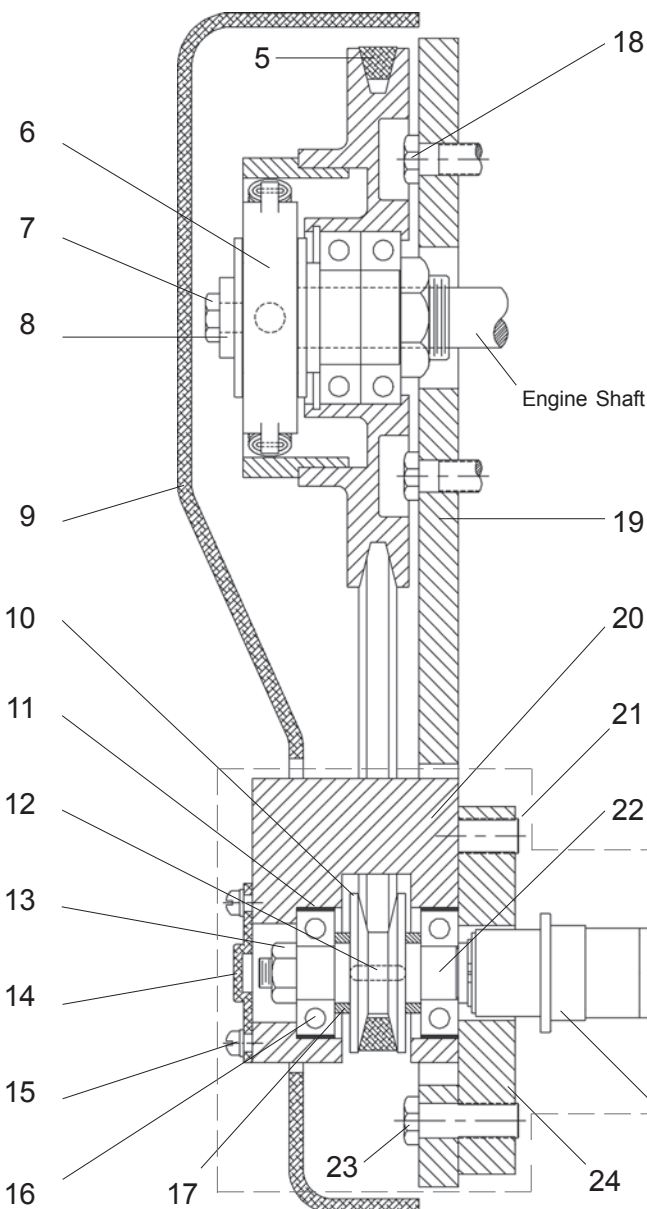
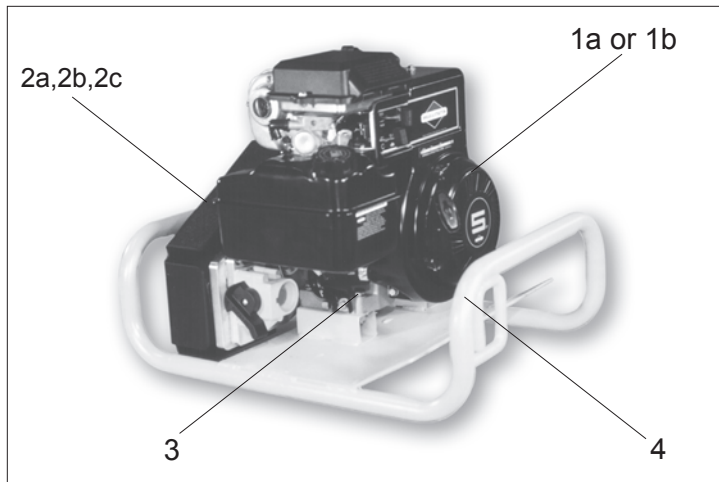
NOTE: ALL PARTS ARE INTERCHANGEABLE WITH BP-31, EXCEPT THE ENGINE.
ALL REQUIRED HARDWARE IS INCLUDED WITH EACH PART.



Ref.#	Description	Part #	List Price
1	BP-31,BP-40,BP-50 FRAME	374AR1	\$ 156.99
2	HONDA GXH-50 4-STROKE ENGINE	6850X1	\$ 823.20
2a	BP-50 RECOIL STARTER	RECOIL50	\$ 55.13
3	BP-50 (RT) SPIDER ASSEMBLY	170D2	\$ 98.92
4	BP RUBBER SHOCK MOUNTS (3)	319D1	\$ 8.31
5	BP-50LH THROTTLE ASSY.COMPLETE	31G1	\$ 122.27
5a	BP LH ROTARY THROTTLE ARM ASSY.	316AG1	\$ 88.47
5b	BP LH THROTTLE CONTROL BOX ASSY.	399A1	\$ 54.85
6	BACKPACK PAD With VELCRO STRAP	45B1	\$ 93.17
7	BACKPACK SHOULDER STRAP ASSY.	478C1	\$ 56.16
8	10-32 x 1 3/4" PAN HEAD SCREW (5)	111N105	\$ 0.83
9	BP-50 BELT GUARD	346P1	\$ 59.99
10	BP-50 COMPLETE DRIVEN BLOCK ASSY.	6750G1	\$ 272.76
11	OZTEC QD CASING COUPLING ASSY.	217A1	\$ 9.11
12	OZTEC QD CASING ADAPTER ASSY.	270MX1	\$ 21.88
13	OZTEC QD CORE ADAPTER ASSY.	271GT1	\$ 23.10
14	BEARING (6202-ZZ)	207R3	\$ 19.46
15	SNAP RING, BEARING HOUSING	172C28	\$ 1.92
16	BP-50 BEARING BLOCK SPACER	462BE1	\$ 7.67
17	BEARING (6203-ZZ)	207R4	\$ 19.46
18	BP-50 BEARING HOUSING ASSY.	398D1	\$ 93.17
19	BP-50 DRIVEN PULLEY	265K1	\$ 80.41
20	BP-50 COMPLETE CLUTCH ASSY.	363A1	\$ 140.40
21	TRANS. PLATE SCREW 1/4-28 x 3/4" (4)	58B3	\$ 0.83
22	BP-50 TRANSMISSION MOUNTING PLATE	386CK1	\$ 79.14
23	BP-50 POLY-V BELT, 6 GROOVE	37D3	\$ 44.68
24	BEARING BLOCK HOUSING SCREWS (3)	58A28	\$ 0.83
25	BP-50 ENGINE MOUNT, LH STYLE	316AH1	\$ 49.78



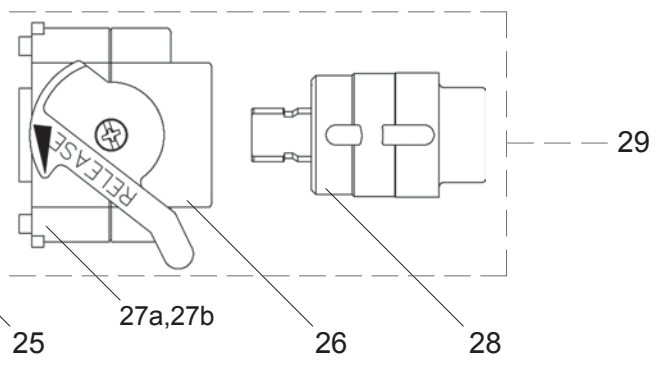
NOTE: MODEL BP-50 HAS BEEN DISCONTINUED, PARTS ARE AVAILABLE.
ALL REQUIRED HARDWARE IS INCLUDED WITH EACH PART.



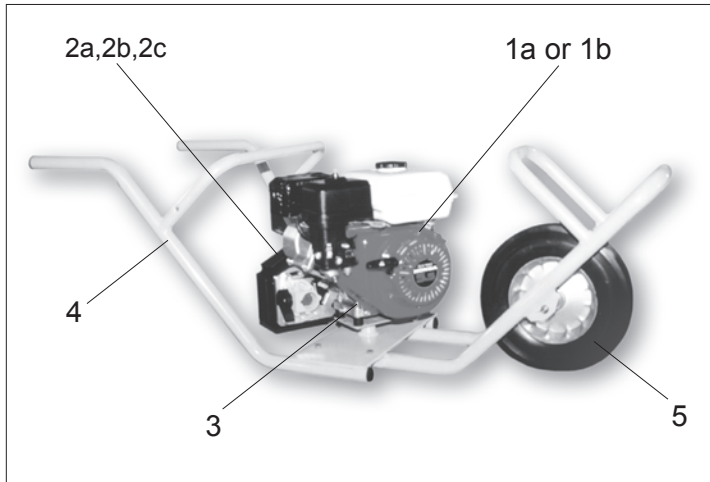
Ref.#	Description	Part #	List Price
1a	B&S 5.5 HP OHV GAS ENGINE	6850AA1	\$ 396.26
1b	HONDA 5.5 HP GAS ENGINE	6850AB1	\$ 723.23
2a	COVER BOLT (1), 1/4"-20 x 3 1/2"	58A15	\$ 0.83
2b	COVER BOLTS (2), 1/4"-20 x 2"	58A9	\$ 0.83
2c	COVER BOLT (1), 1/4"-20 x 1"	58A5	\$ 0.83
3	ENGINE BASE BOLTS, 5/16"-18 x 1 1/2"	58A32	\$ 0.83
4	GV-5 FRAME	374AS1	\$ 215.76
5	GV-5 BELT, GRIP NOTCH AX28	37F1	\$ 21.69
6	GV-5 PULLEY & CLUTCH ASSEMBLY	6925C1	\$ 294.53
7	HUB LOCKING BOLT, 5/16"-24 x 1 1/4"	58B31	\$ 0.83
8	HUB WASHER	131Y1	\$ 2.13
9	GV-5 BELT GUARD	346R1	\$ 108.60
10	GV-5 DRIVEN PULLEY	265L1	\$ 49.76
11	GV-5 TOLERANCE RING	173C1	\$ 5.78
12	MACHINE KEY, 3/16" x 3/16" x 5/8"	192A16	\$ 4.15
13	GV-5 SPINDLE NUT, OZTEC	72AR1	\$ 1.83
14	COVER	346B1	\$ 7.02
15	COVER SCREWS (4)	111P96	\$ 0.83
16	BEARINGS (2), 6203ZZE C3	207R4	\$ 19.46
17	GV-5 DRIVEN PULLEY SPACERS (2)	462BD1	\$ 4.25
18	MOTOR MOUNT BOLTS (4), 5/16"-18 x 1"	58A30	\$ 0.83
19	GV-5 MOUNTING PLATE	386CR1	\$ 102.49
20	GV-5 BEARING BLOCK	398E1	\$ 273.32
21	PIVOT PLATE SCREWS (4), 1/4"-20x1/2"	111E38	\$ 0.83
22	GV-5 DRIVEN SPINDLE	228CC1	\$ 35.25
23	PIVOT PLATE BOLTS (3), 5/16"-18 x 1 1/4"	58A31	\$ 0.83
24	GV-5 PIVOT BELT TENSION PLATE	386CP1	\$ 54.88
25	OZTEC QD CORE ADAPTER ASSY. GV-BP	271GT2	\$ 23.10
26	OZTEC QD CASING ADAPTER ASSY.	270MX1	\$ 21.88
27a	CASING ADAPTER SCREWS (3)	111P96	\$ 0.83
27b	CASING ADAPTER SCREW (1)	111P106	\$ 0.83
28	OZ QD COUPLER ASSY, SHAFT PIECE	217A1	\$ 9.11
--	OZTEC GV-5 QD KIT	OZQDKITGV5	\$ 45.59
29	GV-5 COMPLETE DRIVEN BLOCK ASSY.	6750J1	\$ 442.96

Note: For Non-QD (Threaded) Units, use the following Part Numbers:

25	CORE ADAPTER OZTEC GV-5	271HD1	\$ 28.72
26	CASING ADAPTER OZTEC OZ	270P2	\$ 33.51
28	NOT USED ON THREADED UNITS.	--	--



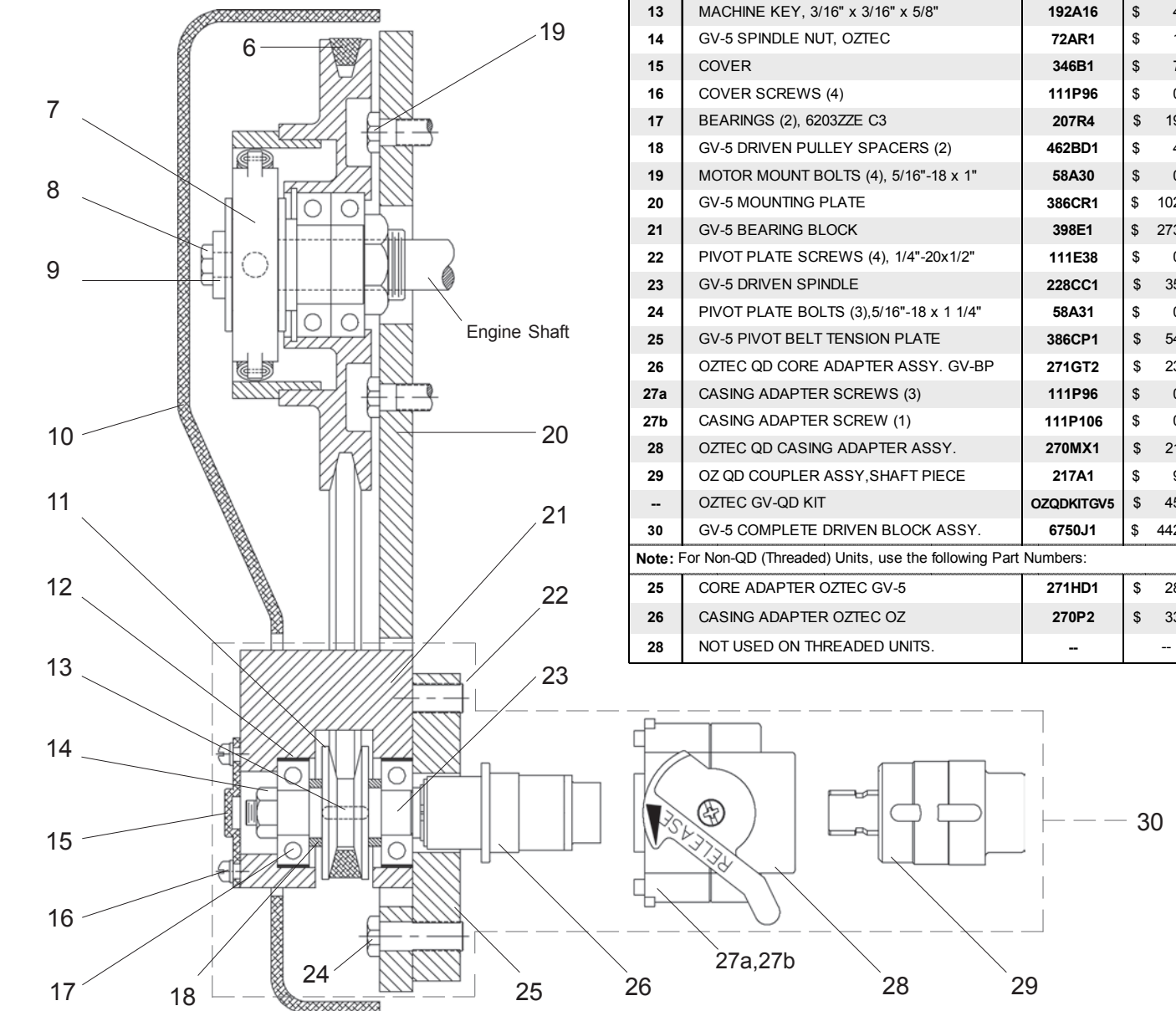
NOTE: ALL REQUIRED HARDWARE IS INCLUDED WITH EACH PART.



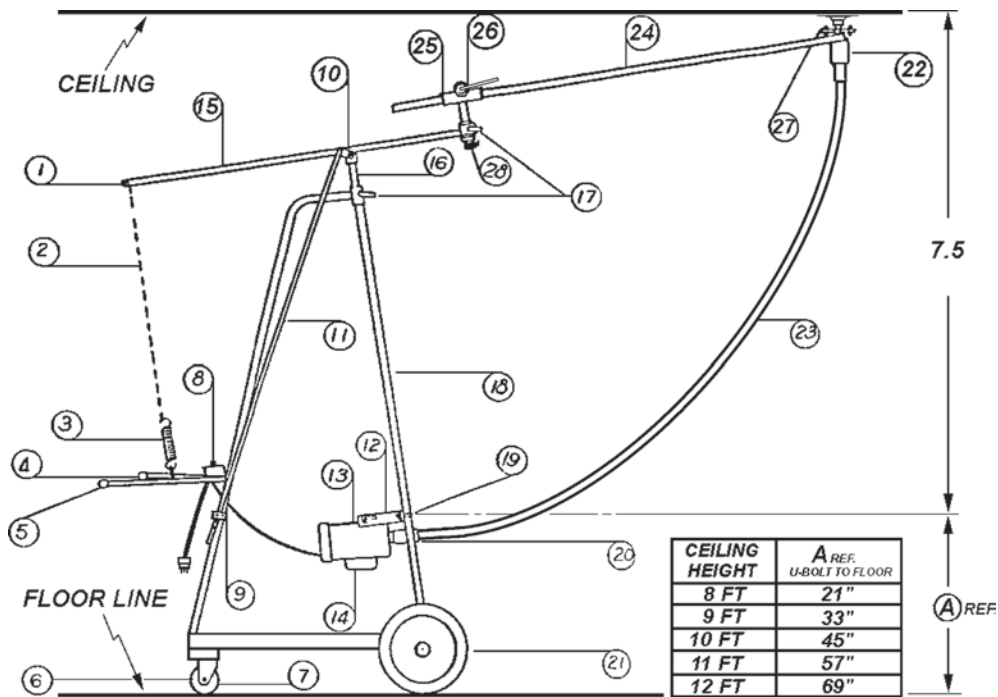
Ref.#	Description	Part #	List Price
1a	B&S 5.5 HP OHV GAS ENGINE	6850AA1	\$ 396.26
1b	HONDA 5.5 HP GAS ENGINE	6850AB1	\$ 723.23
2a	COVER BOLT (1), 1/4"-20 x 3 1/2"	58A15	\$ 0.83
2b	COVER BOLTS (2), 1/4"-20 x 2"	58A9	\$ 0.83
2c	COVER BOLT (1), 1/4"-20 x 1"	58A5	\$ 0.83
3	ENGINE BASE BOLTS, 5/16"-18 x 1 1/2"	58A32	\$ 0.83
4	GV-5W FRAME	374AT1	\$ 318.68
5	WHEEL, GV-5	290K1	\$ 76.09
6	GV-5 BELT, GRIP NOTCH AX28	37F1	\$ 21.69
7	GV-5 PULLEY & CLUTCH ASSEMBLY	6925C1	\$ 294.53
8	HUB LOCKING BOLT, 5/16"-24 x 1 1/4"	58B31	\$ 0.83
9	HUB WASHER	131Y1	\$ 2.13
10	GV-5 BELT GUARD	346R1	\$ 108.60
11	GV-5 DRIVEN PULLEY	265L1	\$ 49.76
12	GV-5 TOLERANCE RING	173C1	\$ 5.78
13	MACHINE KEY, 3/16" x 3/16" x 5/8"	192A16	\$ 4.15
14	GV-5 SPINDLE NUT, OZTEC	72AR1	\$ 1.83
15	COVER	346B1	\$ 7.02
16	COVER SCREWS (4)	111P96	\$ 0.83
17	BEARINGS (2), 6203ZZE C3	207R4	\$ 19.46
18	GV-5 DRIVEN PULLEY SPACERS (2)	462BD1	\$ 4.25
19	MOTOR MOUNT BOLTS (4), 5/16"-18 x 1"	58A30	\$ 0.83
20	GV-5 MOUNTING PLATE	386CR1	\$ 102.49
21	GV-5 BEARING BLOCK	398E1	\$ 273.32
22	PIVOT PLATE SCREWS (4), 1/4"-20x1/2"	111E38	\$ 0.83
23	GV-5 DRIVEN SPINDLE	228CC1	\$ 35.25
24	PIVOT PLATE BOLTS (3), 5/16"-18 x 1 1/4"	58A31	\$ 0.83
25	GV-5 PIVOT BELT TENSION PLATE	386CP1	\$ 54.88
26	OZTEC QD CORE ADAPTER ASSY. GV-BP	271GT2	\$ 23.10
27a	CASING ADAPTER SCREWS (3)	111P96	\$ 0.83
27b	CASING ADAPTER SCREW (1)	111P106	\$ 0.83
28	OZTEC QD CASING ADAPTER ASSY.	270MX1	\$ 21.88
29	OZ QD COUPLER ASSY, SHAFT PIECE	217A1	\$ 9.11
--	OZTEC GV-QD KIT	OZQDKITGV5	\$ 45.59
30	GV-5 COMPLETE DRIVEN BLOCK ASSY.	6750J1	\$ 442.96

Note: For Non-QD (Threaded) Units, use the following Part Numbers:

25	CORE ADAPTER OZTEC GV-5	271HD1	\$ 28.72
26	CASING ADAPTER OZTEC OZ	270P2	\$ 33.51
28	NOT USED ON THREADED UNITS.	--	--

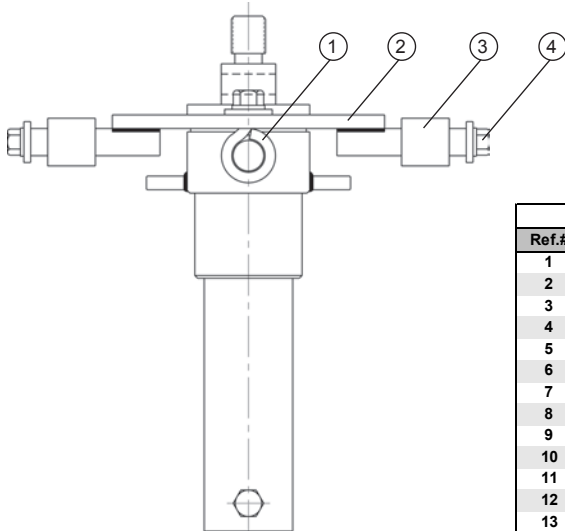


NOTE: ALL REQUIRED HARDWARE IS INCLUDED WITH EACH PART.



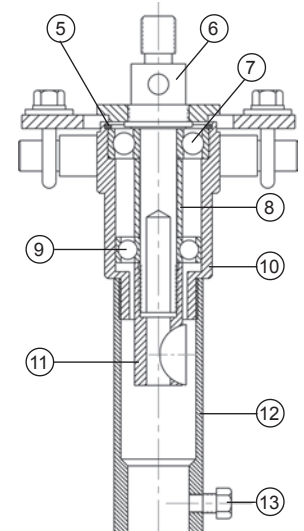
Ref.#	Part #	Description	List Price
1	444F4	BUTTON PLUG	\$1.92
2	332A1	CHAIN ASSEMBLY	\$51.69
3	91B1	EXTENSION SPRING	\$44.98
4	36A1	HAND GRIP	\$3.51
5	388F2	TENSION HANDLE	\$48.51
6	321B1	BUSHING	\$3.51
7	290G1	SWIVEL WHEEL	\$31.91
8	177B1	SWITCH (ELECTRIC)	\$71.79
"	31A1	THROTTLE (GAS)	\$21.69
9	58D42	U-BOLT WITH PLATE	\$4.46
10	98E1	CROSS ROD	\$21.69
11	98C2	SUPPORT ROD	\$58.39
12	316K1	MOTOR BRACKET (ELECTRIC)	\$75.31
"	316E1	MOTOR BRACKET (GAS)	\$91.90
13	386AA1	MOTOR PLATE (ELECTRIC)	\$58.39
14	6825ES2	POWER UNIT (ELECTRIC)	\$764.03
"	6850AC1	POWER UNIT (HONDA GAS)	\$743.89
15	374X1	CROSS ARM FRAME	\$155.72
16	98D1	EXTENSION ROD	\$73.70
17	27D1	LOCK HANDLE	\$20.11

Ref.#	Part #	Description	List Price
18	374H1	FRAME	\$310.15
19	58D11	U-BOLT	\$4.46
20	271B2	CORE ADAPTER (ELECTRIC)	\$30.00
"	270H2	CASING ADAPTER (ELECTRIC)	\$48.51
"	271CY2	CORE ADAPTER (GAS)	\$30.00
"	270FD2	CASING ADAPTER (GAS)	\$58.39
21	290F1	WHEEL	\$86.79
22	6950C1	GRINDING HEAD ASSEMBLY	\$375.24
23	FS CG 07	FLEXSHAFT ASSEMBLY (for CG12E)	\$286.00
"	C CG 07	INNER CORE ONLY (for CG12E)	\$117.00
"	CAS CG 07	CASING ONLY (for CG12E)	\$169.00
"	FS CG 07 HD	HD FLEXSHAFT ASSEMBLY (for CG12G)	\$357.00
"	C CG 07 HD	HD INNER CORE ONLY (for CG12G)	\$151.00
"	CAS CG 07 HD	HD CASING ONLY (for CG12G)	\$208.00
24	374Y1	ADJUSTABLE ROD FRAME	\$33.51
25	316J1	ROD BRACKET	\$42.43
26	388N1	CG LOCK HANDLE	\$14.68
27	465B1	SLEEVE	\$1.92
28	465B2	SLEEVE	\$5.42



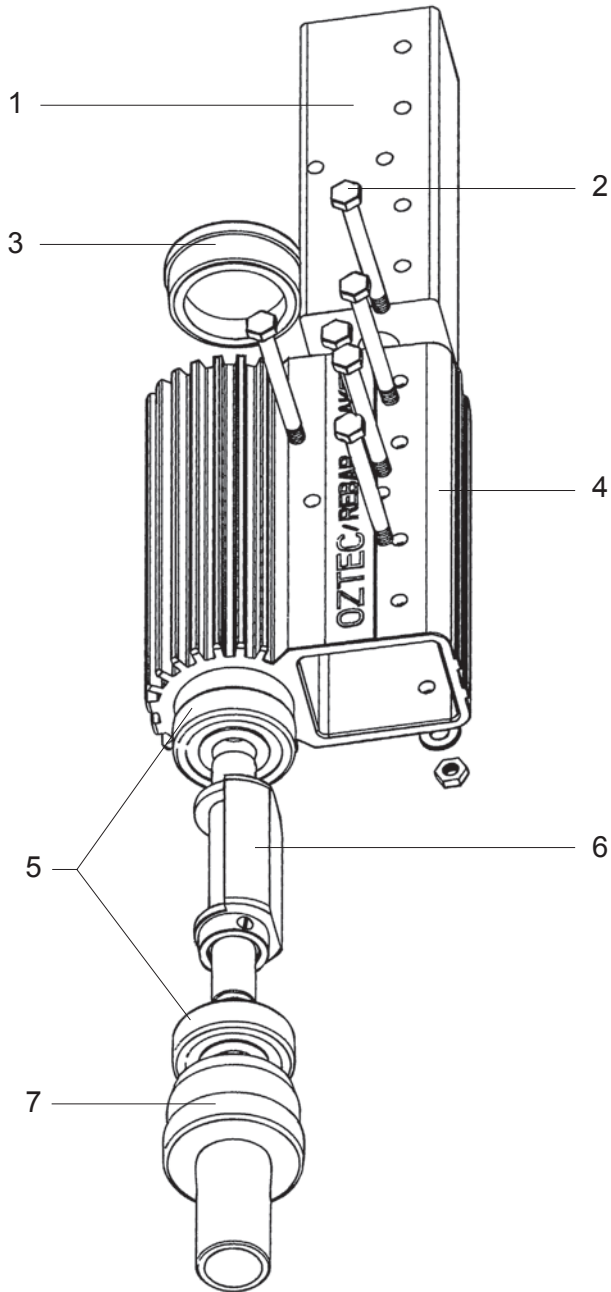
6950C1 - CEILING GRINDER HEAD
EXTERNAL VIEW.

6950C1 - CEILING GRINDER HEAD			
Ref.#	Part #	Description	List Price
1	58E3	CG HEAD EYEBOLT (F1)	\$2.87
2	386T1	CG HEAD SWIVEL PLATE	\$44.98
3	465B1	CG HEAD SLEEVE.	\$1.92
4	58A1	HEX HEAD SCREW, 1/4"-20 x 1/2"	\$0.83
5	172C40	INTERNAL RETAINING RING (N5000-187)	\$1.92
6	228CD1	CG HEAD SPINDLE	\$64.55
7	207S4	CG HEAD BEARING, TOP (6303ZZ)	\$25.84
8	462BF1	CG HEAD SPACER	\$4.91
9	207R4	CG HEAD BEARING, BOTTOM (6203ZZ)	\$19.46
10	367AE1	CG HEAD HOUSING, TOP	\$122.30
11	271AH1	CG HEAD CORE ADAPTER	\$53.37
12	367AF1	CG HEAD HOUSING, BOTTOM	\$44.25
13	58A26	HEX HEAD SCREW, 5/16"-18 x 1/2"	\$0.83



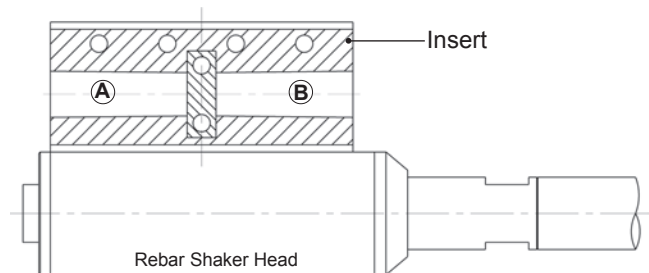
6950C1 - CEILING GRINDER HEAD
INTERNAL VIEW.

NOTE: ALL REQUIRED HARDWARE IS INCLUDED WITH EACH PART.



Ref.#	Description	Part #	List Price
1	REBAR SHAKER INSERT	See Chart	\$ 117.00
2	HEX HEAD SCREW, 1/4"-20 x 2 3/4" (5)	58A12	\$ 0.83
3	REBAR SHAKER END CAP	328M1	\$ 29.53
4	REBAR SHAKER EXTRUDED HOUSING	367AG1	\$ 270.11
5	REBAR SHAKER BEARING KIT *	230F1	\$ 69.42
6	REBAR SHAKER ROTOR ASSY.	4975A1	\$ 114.31
7	REBAR SHAKER CASING ADAPTER	270NV1	\$ 52.40

* Bearings are run in by Oztec at the factory.



INSERTS AVAILABLE		
INSERT P/N.	REBAR # (Size)	REBAR # (Size)
	Ⓐ	Ⓑ
RSI-44	# 4	# 4
RSI-56	# 5	# 6
RSI-55	# 5	# 5
RSI-66	# 6	# 6
RSI-77	# 7	# 7
RSI-88	# 8	# 8
RSI-78	# 7	# 8

NOTE: ALL REQUIRED HARDWARE IS INCLUDED WITH EACH PART.

Part No.	Description	List Price
102A2	SWITCH PLATE 1.2 (115 V, 9 A)	\$ 9.25
102A4	SWITCH PLATE 1.8 (115 V, 15 A)	\$ 9.25
102A5	SWITCH PLATE 1.8 (230 V, 7.5 A)	\$ 9.25
102A6	SWITCH PLATE 2.4 (115 V, 17 A)	\$ 9.25
102A7	SWITCH PLATE 2.4 (230V, 8.5A)	\$ 9.25
102A8	SWITCH PLATE 3.2 (115 V, 19 A)	\$ 9.25
102A9	SWITCH PLATE 3.2 (230V, 9.5A)	\$ 9.25
111D106	PAN SLOTTED HD.SCR. 10-32*2"	\$ 0.83
111D99	PAN SLOTTED HD.SCR. 10-32*3/4"	\$ 0.83
111E38	SOCKET HEAD CAP SCR. 1/4-20*1/2	\$ 0.83
111N105	10-32*2-3/4"SLOTTED PAN HD.SCR	\$ 0.83
111N109	10-32*2-3/4"SLOTTED PAN HD.SCR	\$ 0.83
111P106	FILLISTER SLTD.HEAD 10-32 x 2"	\$ 0.83
111P96	FILLISTER SLTD.HEAD 10-32*1/2"	\$ 0.83
111R47	SOCKET HEAD CAP SCREW M6x25mm	\$ 0.83
131W1	BP-31 HUB WASHER	\$ 3.51
131Y1	GV-5 HUB WASHER	\$ 2.13
170B1	SPIDER ASSEMBLY, BP-31, BP-40	\$ 54.88
170D1	BP-50 SPIDER ASSEMBLY	\$ 98.92
170D2	BP-50 (RT) SPIDER ASSEMBLY	\$ 98.92
172B23	EXT.RETAINING RING .669" SHAFT	\$ 0.62
172C28	INT.RETAINING RING, 1 3/8" HOLE	\$ 1.92
172C40	INT.RETAINING RING 1 7/8" HOLE	\$ 1.92
172D15	INT.RETAINING RING, 1 3/4" HOLE	\$ 1.92
173C1	GV-5 TOLERANCE RING	\$ 5.78
173D1	1.2 TOLERANCE RING	\$ 5.75
173E1	1.8, 2.4, 3.2 TOLERANCE RING	\$ 5.75
174BF1	ELECTRIC CORD 1.2, 1.8 (UL)	\$ 31.91
174BG1	ELECTRIC CORD 2.4, 3.2 (UL)	\$ 31.91
177A1	TOGGLE SWITCH 1.2, 1.8, 2.4, 3.2	\$ 20.11
177B1	CG SWITCH	\$ 71.79
177M1	BP31 STOP BUTTON & CABLE ASSY.	\$ 16.28
178A1	BRUSH HOLDER 1.2	\$ 10.86
178A2	BRUSH HOLDER 1.8, 2.4	\$ 12.77
178A3	BRUSH HOLDER 3.2	\$ 15.96
192A16	3/16*3/16*5/8" BES MACHINE KEY	\$ 4.15
207R1	BEARING 1.2 (6200-ZZE)	\$ 19.15
207R3	BEARING (6202-ZZ)	\$ 19.46
207R4	BEARING (6203-ZZ)	\$ 19.46
207S1	BEARING 1.8, 2.4, 3.2 (6300-ZZE)	\$ 19.15
207S4	BEARING, RBS (6303ZZE C3 SR12)	\$ 25.84
217A1	OZ QD COUPLER ASSY, SHAFT PIECE	\$ 9.11
221A1	FIELD 1.2 (115 V)	\$ 104.66
221B1	FIELD 1.8 (115 V)	\$ 122.84
221C1	FIELD 2.4 (115 V)	\$ 126.66
221D1	FIELD 3.2 (115 V)	\$ 158.27
221F1	FIELD 1.8 (230 V)	\$ 141.98
221G1	FIELD 2.4 (230 V)	\$ 150.61
221H1	FIELD 3.2 (230 V)	\$ 178.68
225A1	HEAD REPAIR KIT, 3/4"	\$ 65.09
225B1	HEAD REPAIR KIT, 1"	\$ 78.18
225C1	HEAD REPAIR KIT, 1-1/4"	\$ 89.03

Part No.	Description	List Price
225D1	HEAD REPAIR KIT, 1-1/2"	\$ 92.55
225E1	HEAD REPAIR KIT, 1-3/4"	\$ 100.19
225F1	HEAD REPAIR KIT, 2"	\$ 100.19
225G1	HEAD REPAIR KIT 2-1/2"	\$ 104.02
228BX1	BEARING BLOCK SPINDLE	\$ 30.63
228CC1	GV-5 DRIVEN SPINDLE	\$ 35.25
228CD1	CG HEAD SPINDLE	\$ 64.55
230D1	BEARING KIT, BP31 BEARINGBLOCK	\$ 38.93
230F1	REBAR SHAKER BEARING KIT	\$ 69.42
240A1	ELECTRICAL BRUSH 1.2	\$ 6.38
240A2	ELECTRICAL BRUSH 1.8, 2.4	\$ 7.02
240A3	ELECTRICAL BRUSH 3.2	\$ 8.95
265H1	BP-31 & BP-40 DRIVEN PULLEY	\$ 46.59
265K1	BP-50 DRIVEN PULLEY	\$ 80.41
265L1	GV-5 PULLEY	\$ 49.76
270AA1	CASING ADAPTER DENVER D	\$ 33.51
270AB1	CASING ADAPTER REMINGTON RL, R	\$ 33.51
270AC1	CASING ADAPTER MASTER MV	\$ 33.51
270AD1	CASING ADAPTER THOR TT	\$ 33.51
270AG1	CASING ADAPTER 7/8" HEAD MS	\$ 37.01
270AH1	CASING ADAPTER 3/4" HEAD ML	\$ 37.01
270AJ1	CASING ADAPTER 7/8" HEAD ST	\$ 37.01
270AK2	CASING ADAPTER 1" HEAD RV	\$ 37.01
270AL1	CASING ADAPTER 1" HEAD TV	\$ 37.01
270AL2	CASING ADAPTER 1" HEAD DV	\$ 37.01
270AM1	CASING ADAPTER 1" HEAD OZ	\$ 37.01
270AR1	CASING ADAPTER 1" HEAD WE	\$ 37.01
270AS1	CASING ADAPTER 1" HEAD ST	\$ 37.01
270AT1	CASING ADAPTER 1" HEAD V	\$ 37.01
270AV1	CASING ADAPTER 1" HEAD JE	\$ 37.01
270AX1	CASING ADAPTER 1 1/4" HEAD V	\$ 37.01
270AY1	CASING ADAPTER 1 1/2" HEAD ST	\$ 37.01
270BA1	CASING ADAPTER 1 1/4" HEAD OZ	\$ 37.01
270BC1	CASING ADAPTER 1 1/4" HEAD RV	\$ 37.01
270BD1	CASING ADAPTER 1 1/4" HEAD JE	\$ 37.01
270BE1	CASING ADAPTER 1 1/4" HEAD WE	\$ 37.01
270BF1	CAS.AD.HEAD 1 1/4"MG, 1 3/4"QE	\$ 37.01
270BH1	CASING ADAPTER 1 1/4" HEAD SS	\$ 37.01
270BJ1	CASING ADAPTER 1 1/4" HEAD T	\$ 37.01
270BK1	CASING ADAPTER 1 1/4" HEAD MM	\$ 37.01
270BM1	CASING ADAPTER 1 1/2" HEAD JE	\$ 37.01
270BN1	CASING ADAPTER 1 1/2" HEAD V	\$ 37.01
270BP1	CASING ADAPTER 1 1/2" HEAD OZ	\$ 37.01
270BS1	CASING ADAPTER 1 1/2" HEAD SS	\$ 37.01
270BT1	CASING ADAPTER 1 1/2" HEAD T	\$ 37.01
270BV1	CASING ADAPTER 1 1/2" HEAD MM	\$ 37.01
270BW1	CASING ADAPTER 1 1/2" HEAD WF	\$ 37.01
270BX1	CASING ADAPTER 1 1/2" HEAD D	\$ 37.01
270CA1	CASING ADAPTER 1 3/4" HEAD V	\$ 44.98
270CB1	CASING ADAPTER 1 3/4" HEAD OZ	\$ 44.98
270CC1	CASING ADAPTER 1 3/4" HEAD RV	\$ 44.98
270CD1	CASING ADAPTER 1 3/4" HEAD JE	\$ 44.98

NOTE: ALL REQUIRED HARDWARE IS INCLUDED WITH EACH PART.

Part No.	Description	List Price	Part No.	Description	List Price
270CH1	CASING ADAPTER 1 3/4" HEAD R	\$ 44.98	270Y2	CASING ADAPTER STOW SS	\$ 55.52
270CJ1	CASING ADAPTER 1 3/4" HEAD SS	\$ 44.98	271AD1	CORE ADAPTER 1 1/4" HEAD MM	\$ 31.28
270CK1	CASING ADAPTER 1 3/4" HEAD T	\$ 44.98	271AD2	CORE ADAPTER 1 1/4" HEAD OZ	\$ 31.28
270CM1	CASING ADAPTER 1 3/4" HEAD MM	\$ 44.98	271AH1	CG HEAD CORE ADAPTER	\$ 53.37
270CN1	CASING ADAPTER 1 3/4" HEAD WF	\$ 44.98	271AJ1	CORE ADAPTER 1 1/2" HEAD T	\$ 31.28
270CP1	CASING ADAPTER 1 3/4" HEAD TT	\$ 44.98	271AJ2	CORE ADAPTER 1 1/2" HEAD MG, V	\$ 31.28
270CS1	CASING ADAPTER 1 3/4" HEAD D	\$ 44.98	271AK1	CORE ADAPTER 1 1/2" HEAD MM	\$ 31.28
270CT1	CASING ADAPTER 1 3/4" HEAD WH	\$ 44.98	271AK2	CORE ADAPTER 1 1/2" HEAD OZ	\$ 31.28
270CY1	CASING ADAPTER 2" HEAD V	\$ 44.98	271AL1	CORE ADAPTER 1 1/2" HEAD SS	\$ 31.28
270DA1	CASING ADAPTER 2" HEAD OZ	\$ 44.98	271AM1	CORE AD. 1 3/4, 2, 2 1/2" T MG	\$ 31.28
270DC1	CASING ADAPTER 2" HEAD R	\$ 44.98	271AS1	CORE AD. 1 3/4, 2, 2 1/2" V	\$ 31.28
270DD1	CASING ADAPTER 2" HEAD SS	\$ 44.98	271AT1	CORE ADP. HEAD, GV-5OZ, MM	\$ 31.28
270DE1	CASING ADAPTER 2" HEAD MM	\$ 44.98	271AV2	CORE AD.2", 2 1/2" HEADS SS,TT	\$ 31.28
270DG1	CASING ADAPTER 2" HEAD D	\$ 44.98	271AW1	CORE ADAPTER 1 3/4" HEAD RV	\$ 31.28
270DH1	CASING ADAPTER 2" HEAD WH	\$ 44.98	271AY1	CORE AD. 1 3/4", 2", 2 1/2" R	\$ 31.28
270DL1	CASING ADAPTER 2 1/2" HEAD V	\$ 44.98	271B2	CORE ADAPTER	\$ 30.00
270DM1	CASING ADAPTER 2 1/2" HEAD OZ	\$ 44.98	271BD1	CORE ADAPTER 1 1/4" HEAD T, ST	\$ 31.28
270DP1	CASING ADAPTER 2 1/2" HEAD R	\$ 44.98	271BD2	CORE ADAPTER 1 1/4" HEAD V, MG	\$ 31.28
270DR1	CASING ADAPTER 2 1/2" HEAD SS	\$ 44.98	271BF1	CORE ADAPTER 1 1/4" HEAD JE	\$ 31.28
270DS1	CASING ADAPTER 2 1/2" HEAD MM	\$ 44.98	271BG1	CORE AD.1 3/4, 2, 2 1/2" JE,QE	\$ 31.28
270DT1	CASING ADAPTER 2 1/2" HEAD TT	\$ 44.98	271BJ1	CORE ADAPTER 1 1/4" HEAD WE	\$ 31.28
270DV1	CASING ADAPTER 2 1/2" HEAD D	\$ 44.98	271BL1	CORE ADAPTER 1 1/2" HEAD WF,WH	\$ 31.28
270DW1	CASING ADAPTER 2 1/2" HEAD WH	\$ 44.98	271BM1	CORE AD.1 3/4, 2, 2 1/2" WF,WH	\$ 31.28
270EB1	CASING ADAPTER 1 1/2" HEAD MK	\$ 37.01	271BN1	CORE ADAPTER 1 1/2" HEAD D	\$ 31.28
270EC1	CASING ADAPTER MIKASA MK	\$ 33.51	271BP1	CORE AD. 1 3/4, 2, 2 1/2" D	\$ 31.28
270EP1	CASING ADAPTER 1 1/2" HEAD MG	\$ 37.01	271BX1	CORE ADAPTER 3/4" HEAD ML	\$ 31.28
270ER1	CASING ADAPTER 1" HEAD MG	\$ 37.01	271BY2	CORE ADAPTER 7/8" HEAD OZ	\$ 31.28
270EV1	CASING ADAPTER 1 3/4" HEAD MG	\$ 44.98	271C1	CORE ADAPTER STOW S	\$ 28.72
270EX1	CASING ADAPTER DREYER QE	\$ 33.51	271CA1	CORE ADAPTER 7/8" HEAD ST	\$ 31.28
270EY1	CASING ADAPTER 1 1/4" HEAD QE	\$ 37.01	271CC1	CORE ADAPTER 1" HEAD OZ	\$ 31.28
270FA1	CASING ADAPTER 2" HEAD QE	\$ 44.98	271CE1	CORE ADAPTER 1" HEAD RV	\$ 31.28
270FB1	CASING ADAPTER 1 3/4" HEAD QE	\$ 44.98	271CF1	CORE ADAPTER 1" HEAD ST, TV	\$ 31.28
270FC1	CASING ADAPTER 2 1/2" HEAD QE	\$ 44.98	271CF2	CORE ADAPTER 1" HEAD DV, MG, V	\$ 31.28
270FD2	CASING ADAPTER, GAS CG-12	\$ 58.39	271CG1	CORE ADAPTER 1" HEAD JE	\$ 31.28
270H2	CASING ADAPTER ELEC. CEILING G	\$ 48.51	271CH1	CORE ADAPTER 1" HEAD WE	\$ 31.28
270K1	CASING ADAPTER MASTER M	\$ 33.51	271CJ1	CORE ADAPTER 1 1/4" HEAD SS	\$ 31.28
270KF1	CASING ADAPTER 2" HEAD T	\$ 44.98	271CK1	CORE ADAPTER 1 1/4" HEAD RV	\$ 31.28
270KG1	CASING ADAPTER 2 1/2" HEAD T	\$ 44.98	271CM1	CORE ADAPTER 1 1/2" HEAD JE	\$ 31.28
270KL1	CASING ADAPTER DYNAPAC DP	\$ 33.51	271CP1	CORE ADAPTER MIKASA MK	\$ 28.72
270LB1	CASING ADAPTER DREYER CE	\$ 33.51	271CX1	CORE ADAPTER DREYER QE	\$ 28.72
270M1	CASING ADAPTER DREYER JE	\$ 33.51	271CY4	CORE ADPT., CG12 GAS, 3/4 BORE	\$ 30.00
270MX1	OZTEC QD CASING ADAPTER ASSY.	\$ 21.88	271D1	CORE ADAPTER WYCO W, WW	\$ 28.72
270N1	CASING ADAPTER STOW S	\$ 33.51	271D2	CORE ADAPTER REMINGTON RL	\$ 28.72
270NV1	REBAR SHAKER CASING ADAPTER	\$ 52.40	271EP1	CORE ADAPTER (OLD GV2.5 BP)	\$ 31.28
270P1	CASING ADAPTER OZTEC DVS	\$ 33.51	271EV1	CORE ADAPTER WYCO WS, WL	\$ 28.72
270P2	CASING ADAPTER OZTEC OZ	\$ 33.51	271F1	CORE ADAPTER DENVER D	\$ 28.72
270R1	CASING ADAPTER VIBER V	\$ 33.51	271FA1	CORE ADAPTER DYNAPAC DP	\$ 28.72
270S1	CASING ADAPTER STOW ST	\$ 33.51	271FK1	CORE ADAPTER DREYER CE	\$ 28.72
270T1	CASING ADAPTER THOR T	\$ 33.51	271GT1	OZTEC QD CORE ADAPTER ASSY.	\$ 23.10
270V1	CASING ADAPTER WYCO W, WS	\$ 33.51	271GT2	OZ QD CORE ADPT. BP31,BP40,GV5	\$ 23.10
270W1	CASING ADAPTER MASTER MM	\$ 33.51	271H1	CORE ADAPTER MASTER MV	\$ 28.72
270X1	CASING ADAPTER WYCO WW, WL	\$ 33.51	271HD1	CORE ADAPTER OZTEC GV-5	\$ 28.72

NOTE: ALL REQUIRED HARDWARE IS INCLUDED WITH EACH PART.

Part No.	Description	List Price	Part No.	Description	List Price
271K1	CORE ADAPTER STOW SS	\$ 28.72	367C1	HOUSING 1 1/4" VIBRATOR HEAD	\$ 69.55
271L1	CORE ADAPTER MASTER M	\$ 28.72	367D1	HOUSING 1 1/2" VIBRATOR HEAD	\$ 73.70
271M1	CORE ADAPTER STOW ST	\$ 28.72	367E1	HOUSING 1 3/4" VIBRATOR HEAD	\$ 80.72
271N2	CORE ADAPTER THOR T	\$ 28.72	367F1	HOUSING 2" VIBRATOR HEAD	\$ 88.70
271N3	CORE ADAP. MASTER MM, OZTEC OZ	\$ 28.72	367G1	HOUSING 2 1/2" VIBRATOR HEAD	\$ 102.41
271N4	CORE ADAP. -DVS, V, SKIL, MAG.	\$ 28.72	368J1	HOUSING 1.2 (THREADED S.R.)	\$ 140.71
271P1	CORE ADAPTER REMINGTON R	\$ 28.72	368K1	HOUSING 1.8, 2.4 THREADED S.R.	\$ 150.29
271S1	CORE ADAPTER DREYER JE	\$ 28.72	368L1	HOUSING 3.2, (THREADED S.R.)	\$ 166.55
271V1	CORE ADAPTER THOR TT	\$ 28.72	36A1	HAND GRIP, 4 5/8" L. * 1" D.	\$ 3.51
27D1	LOCK HANDLE TOOL 4 1/2"-2 3/8"	\$ 20.11	374AR1	BP-31, BP-40 & BP-50 FRAME	\$ 156.99
290F1	CG WHEEL, 14"D *2"W * 5/8"HUB	\$ 86.79	374AS1	GV-5 FRAME	\$ 215.76
290G1	CG WHEEL, CASTER 5"D * 2 1/4"W	\$ 31.91	374AT1	GV-5W FRAME, WITHOUT WHEEL	\$ 318.68
290K1	WHEEL, GV-5W	\$ 76.09	374H1	FRAME-CEILING GRINDER CG12	\$ 310.15
316AE1	THROTTLE ARM,ENG MNT BP31,BP40	\$ 49.78	374X1	FRAME-CROSS ARM CEILING GRINDR	\$ 155.72
316AF1	THROTTLE ARM & ENG.MOUNT BP-50	\$ 49.78	374Y1	ROD-ADJUSTABLE 48"L,W/EYE-BOLT	\$ 33.51
316AG1	BP LH ROTARY THROTTLE ARM ASSY	\$ 88.47	37D3	BELT: BP-31,BP-40,BP-50, BP-80	\$ 44.68
316E1	MOTOR BRACKET FOR CG12-GAS	\$ 91.90	37F1	GV-5 BELT, GRIP NOTCH AX28	\$ 21.69
316J1	ROD BRACKET, CEILING GRINDER	\$ 42.43	386AA1	MOTOR PLATE, CG (ELECTRIC)	\$ 58.39
316K1	MOTOR BRACKET, CEILING GRINDER	\$ 75.31	386CE1	PULLEY SUPPORT PLATE,TRIANGLAR	\$ 53.61
319A2	SHOCKMOUNT ASSEMBLY	\$ 12.77	386CF1	BP-31 TRANS. MOUNTING PLATE	\$ 79.14
319B2	SHOCKMOUNT ASSEMBLY 1.2	\$ 12.77	386CK1	BP-50 TRANS. MOUNTING PLATE	\$ 79.14
319D1	BACKPACK RUBBER SHOCK MOUNT	\$ 8.31	386CP1	GV-5 PLATE, BELT TENSION	\$ 54.88
31A1	CG-12G GAS THROTTLE	\$ 21.69	386CR1	GV-5 TRANS. MOUNTING PLATE	\$ 102.49
31E1	BP50 THROTTLEHANDLE+CABLE ASSY	\$ 63.19	386T1	CG HEAD SWIVEL PLATE	\$ 44.98
31F1	BP31 THROTTLEHANDLE+CABLE ASSY	\$ 48.51	388F2	TENSION HANDLE, CG	\$ 48.51
31G1	BP-50LH THROTTLE ASSY.COMPLETE	\$ 122.27	388N1	CG LOCK HANDLE	\$ 14.68
321B1	BUSHING CASTER WHEEL	\$ 3.51	388P1	BP-50 THROTTLE HANDLE,NO CABLE	\$ 31.28
324A1	END BELL 1.2	\$ 43.40	388P2	BP-31 THROTTLE HANDLE,NO CABLE	\$ 24.26
324B1	END BELL 1.8, 2.4	\$ 46.91	390A1	NOSEPIECE FOR 7/8" HEAD	\$ 44.98
324C1	END BELL 3.2	\$ 53.29	390B1	NOSEPIECE FOR 1" HEAD	\$ 46.59
328M1	REBAR SHAKER END CAP	\$ 29.53	390C1	NOSEPIECE FOR 1 1/4" HEAD	\$ 50.42
329A1	PROTECTIVE CAP 1.2 (NON-UL)	\$ 5.42	390D1	NOSEPIECE FOR 1 1/2" HEAD	\$ 53.29
329A2	PROTECTIVE CAP 1.8-3.2(NON-UL)	\$ 5.42	390E1	NOSEPIECE FOR 1 3/4" HEAD	\$ 54.56
329B1	SCREW CAP 1.2	\$ 3.20	390F1	NOSEPIECE FOR 2" HEAD	\$ 59.99
329B2	SCREW CAP 1.8, 2.4, 3.2, D.I.	\$ 3.20	390G1	NOSEPIECE FOR 2 1/2" HEAD	\$ 65.73
329E1	PROTECTIVE CAP (THREADED) 1.2	\$ 5.42	390K1	FORM SAVER TIP FOR 7/8" HEAD	\$ 82.67
329E2	PROTECTIVE CAP 1.8, 2.4, 3.2	\$ 5.42	390L1	FORM SAVER TIP FOR 1" HEAD	\$ 84.27
332A1	CHAIN,8FT W/HOOK, CEILING GRND	\$ 51.69	390M1	FORM SAVER TIP FOR 1 1/4" HEAD	\$ 92.97
334D1	STRAIN RELIEF 1.2/1.8 (PG16)	\$ 6.70	390N1	FORM SAVER TIP FOR 1 1/2" HEAD	\$ 101.90
334D2	STRAIN RELIEF 1.2 - 3.2 (PG16)	\$ 13.76	390P1	FORM SAVER TIP FOR 1 3/4" HEAD	\$ 104.39
346B1	COVER 1.2, 1.8, 2.4, 3.2	\$ 7.02	390R1	FORM SAVER TIP FOR 2" HEAD	\$ 112.26
346M1	BP-31, BP-40 BELT COVER	\$ 30.63	390S1	FORM SAVER TIP FOR 2 1/2" HEAD	\$ 120.42
346P1	BP-50 BELT GUARD	\$ 59.99	397E1	BP-31 CLUTCH PULLEY HUB	\$ 45.94
346R1	GV-5 BELT GUARD	\$ 108.60	398B1	BP-31&40 BEARING HOUSING ASSY.	\$ 93.17
34A1	RUBBER BOOT 1.2, 1.8, 2.4, 3.2	\$ 7.02	398D1	BP-50 BEARING HOUSING, MILLED	\$ 93.17
360D1	BP31 CLUTCH DRUM,DRIVER PULLEY	\$ 40.83	398E1	GV-5 SPINDLE SHAFT HOUSING	\$ 273.32
363A1	BP-50 COMPLETE CLUTCH ASSY.	\$ 140.40	399A1	BP LH THROTTLE CONTROL BOXASY	\$ 54.85
367A1	HOUSING 7/8" VIBRATOR HEAD	\$ 58.72	444C1	ACCESS PLUG 1.2, 1.8, 2.4, 3.2	\$ 3.51
367AE1	CG HEAD HOUSING, TOP PART	\$ 122.30	444F4	CG BUTTON PLUG	\$ 1.92
367AF1	CG HEAD HOUSING, BOTTOM PART	\$ 44.25	45B1	BACKPACK PAD WITH VELCRO STRAP	\$ 93.17
367AG1	REBAR SHAKER EXTRUDED HOUSING	\$ 270.11	462AM1	QD SPACER GROUNDED MTRS, DI	\$ 14.68
367B1	HOUSING 1" VIBRATOR HEAD	\$ 64.13	462AP1	PULLEY SUPPORT PLATE SPACERS	\$ 9.57

NOTE: ALL REQUIRED HARDWARE IS INCLUDED WITH EACH PART.

Part No.	Description	List Price	Part No.	Description	List Price
462BD1	GV-5 DRIVEN PULLEY SPACER	\$ 4.25	58E3	EYEBOLT 5/16"-18,CHICAGO #F-1	\$ 2.87
462BE1	BP-50 BEARING BLOCK SPACER	\$ 7.67	6150A1	BP-31 CLUTCH DRUM ASSEMBLY.	\$ 110.01
462BF1	CG HEAD SPACER	\$ 4.91	6750G1	BP-50 COMPLETE DRIVEN BLOCK	\$ 272.76
465B1	CG HEAD SLEEVE	\$ 1.92	6750H1	BP-31 COMPLETE DRIVEN BLOCK	\$ 261.92
465B2	SLEEVE,CG12 (#28 ON BREAKDOWN)	\$ 5.42	6750J1	GV-5 COMPLETE DRIVEN BLOCK	\$ 442.96
46G1	BAFFLE ASSEMBLY 1.2	\$ 7.02	6825A1	FRAME ASSEMBLY 1.2	\$ 66.06
46G2	BAFFLE ASSEMBLY 1.8, 2.4	\$ 8.31	6825A2	FRAME ASSEMBLY 1.8, 2.4	\$ 75.94
46G3	BAFFLE ASSEMBLY 3.2	\$ 9.57	6825A3	FRAME ASSEMBLY 3.2	\$ 82.65
478C1	BACKPACK SHOULDER STRAP ASSY.	\$ 56.16	6825B1	ARMATURE 1.2 (115 V)	\$ 125.08
478D1	BP ABDOMINAL STRAP ASSY.	\$ 28.72	6825C1	ARMATURE 1.8 (115 V)	\$ 144.22
47A1	FILTER 1.2	\$ 3.51	6825C2	ARMATURE 1.8 (230 V)	\$ 164.01
47A2	FILTER 1.8,2.4	\$ 4.15	6825D1	ARMATURE 2.4 (115 V)	\$ 173.58
47A3	FILTER 3.2	\$ 5.10	6825D2	ARMATURE 2.4 (230 V)	\$ 194.00
496A1	ROTOR 7/8" HEAD RH	\$ 53.29	6825E1	ARMATURE 3.2 (115 V)	\$ 225.91
496A2	ROTOR 7/8" HEAD LH	\$ 53.29	6825E2	ARMATURE 3.2 (230 V)	\$ 246.32
496B1	ROTOR 1" HEAD RH	\$ 58.72	6825ES2	CG MOTOR, 2HP, THERMAL PROTECT.	\$ 764.03
496B2	ROTOR 1" HEAD LH	\$ 58.72	6825L2	ELECTRIC MOTOR 1.5 HP, 3450 RPM	\$ 532.86
496C1	ROTOR 1 1/4" HEAD RH	\$ 64.13	6850AA1	B&S 5.5 HP OHV GAS ENGINE	\$ 396.26
496C2	ROTOR 1 1/4" HEAD LH	\$ 64.13	6850AB1	5.5HP HONDA ENGINE (GX160)	\$ 723.23
496D1	ROTOR 1 1/2" HEAD RH	\$ 72.44	6850AC1	3HP HONDA ENGINE (GX1001-QA2)	\$ 743.89
496D2	ROTOR 1 1/2" HEAD LH	\$ 72.44	6850AD1	HONDA GX35 GAS ENGINE, 4-CYCLE	\$ 570.30
496E1	ROTOR 1 3/4" HEAD RH	\$ 77.85	6850W1	HONDA GX31 GAS ENGINE, 4-CYCLE	\$ 491.36
496E2	ROTOR 1 3/4" HEAD LH	\$ 77.85	6850X1	HONDA GX150 GAS ENGINE, 4-CYCLE	\$ 823.20
496F1	ROTOR 2" HEAD RH	\$ 83.29	6925C1	PULLEY CLUTCH ASSEMBLY 3&5 HP	\$ 294.53
496F2	ROTOR 2" HEAD LH	\$ 83.29	6950C1	HEAD ASSEMBLY-CEILING GRINDER	\$ 375.24
496G1	ROTOR 2 1/2" HEAD RH	\$ 92.85	72AH1	NUT, ARMATURE - RIGHT HAND	\$ 1.28
496G2	ROTOR 2 1/2" HEAD LH	\$ 92.85	72AJ1	NUT, ARMATURE - LEFT HAND	\$ 1.28
4975A1	REBAR SHAKER ROTOR ASSEMBLY	\$ 114.31	72AR1	GV-5 SPINDLE NUT, OZTEC	\$ 1.83
49A1	MOLDED FILTER SCREEN 1.2	\$ 7.02	72G20	HEX JAM NUT 9/16-18 * 5/16"TK	\$ 1.92
49A2	MOLDED FILTER SCREEN 1.8, 2.4	\$ 8.31	91B1	EXTENSION SPRING, CG	\$ 44.98
49A3	MOLDED FILTER SCREEN 3.2	\$ 10.52	98C2	SUPPORT ROD WITH PLATE 386V1	\$ 58.39
58A1	HEX HEAD CAP SCR. 1/4-20*1/2"	\$ 0.83	98D1	EXTENSION ROD 66"L W/O PLATE	\$ 73.70
58A12	HEX HEAD CAP SCR. 1/4-20*2 3/4	\$ 0.83	98E1	CROSS ROD ARM PIVOT 16"L-1/2"D	\$ 21.69
58A15	HEX HEAD CAP SCR. 1/4-20*3 1/2	\$ 0.83	C CG 07	7' CORE CG-12 (401AN1)	\$ 117.00
58A26	HEX HEAD CAP SCR. 5/16-18*1/2"	\$ 0.83	C CG 07 HD	7' CORE HEAVY DUTY CG-12	\$ 151.00
58A28	HEX HEAD CAP SCR. 5/16-18*3/4"	\$ 0.83	CAS CG 07	OUTER CASING CG-12	\$ 169.00
58A29	HEX HEAD CAP SCR. 5/16-18*7/8"	\$ 0.83	CAS CG 07 HD	7' CASING HD. CG-12	\$ 208.00
58A3	HEX HEAD CAP SCR. 1/4-20*3/4"	\$ 0.83	FS CG 07	7' FLEX SHAFT-CEILING GRINDER	\$ 286.00
58A30	HEX HEAD CAP SCR. 5/16-18 * 1"	\$ 0.83	FS CG 07 HD	FLEX SHAFT-CG HEAVY DUTY	\$ 357.00
58A31	HEX HEAD SCR.5/16"-18 * 1 1/4"	\$ 0.83	OZQDKIT 1.2	OZ QD KIT COMPLETE FOR 1.2	\$ 45.59
58A32	HEX HEAD SCR.5/16"-18 * 1 1/2"	\$ 0.83	OZQDKIT 1.8	OZ QD KIT COMPLETE FOR 1.8,2.4	\$ 45.59
58A5	HEX HEAD CAP SCR. 1/4-20*1"	\$ 0.83	OZQDKIT 2.4	OZ QD KIT COMPLETE FOR 1.8,2.4	\$ 45.59
58A9	HEX HEAD CAP SCR. 1/4-20*2"	\$ 0.83	OZQDKIT 3.2	OZ QD KIT COMPLETE FOR 3.2	\$ 45.59
58B3	HEX HEAD CAP SCR. 1/4-28*3/4	\$ 0.83	OZQDKITBP-31	OZ QD KIT COMPLETE FOR BP-31	\$ 45.59
58B31	HEX HEAD CAP SCR.5/16-24*1 1/4	\$ 0.83	OZQDKITBP-50	OZ QD KIT COMPLETE FOR BP-50	\$ 45.59
58D11	U-BOLT 15/16"-18,CHICAGO #0101	\$ 4.46	OZQDKITGV5	OZ QD KIT COMPLETE FOR GV-5	\$ 45.59
58D42	U-BOLT 5/16"-18, CHICAGO #10	\$ 4.46	RECOIL50	RECOIL STARTER FOR BP-50	\$ 55.13

NOTE: ALL REQUIRED HARDWARE IS INCLUDED WITH EACH PART.

OZTEC

CORES

LENGTH (ft.)	PART #	LIST PRICE
2	C 02 OZ	\$25
5	C 05 OZ	\$36
7	C 07 OZ	\$46
10	C 10 OZ	\$59
12	C 12 OZ	\$66
14	C 14 OZ	\$78
16	C 16 OZ	\$92
18	C 18 OZ	\$102
21	C 21 OZ	\$108

CASINGS

PART #	LIST PRICE
CAS 02 OZ	\$66
CAS 05 OZ	\$106
CAS 07 OZ	\$135
CAS 10 OZ	\$176
CAS 12 OZ	\$194
CAS 14 OZ	\$229
CAS 16 OZ	\$285
CAS 18 OZ	\$292
CAS 21 OZ	\$311

PENCIL CORES

LENGTH (ft.)	PART #	LIST PRICE
3	CP 03 OZ	\$27
6	CP 06 OZ	\$41
9	CP 09 OZ	\$59
11	CP 11 OZ	\$71
15	CP 15 OZ	\$80
20	CP 20 OZ	\$107

PENCIL CASINGS

PART #	LIST PRICE
CASP 03 OZ	\$74
CASP 06 OZ	\$119
CASP 09 OZ	\$171
CASP 11 OZ	\$210
CASP 15 OZ	\$238
CASP 20 OZ	\$317

MASTER TYPE

CORES

LENGTH (ft.)	OZTEC PART #	MASTER PART #	LIST PRICE
2	C 02 MM	M30646-01	\$25
5	C 05 MM	---	\$36
6	C 06 MM	104N	\$41
7	C 07 MM	M30646-02	\$46
10	C 10 MM	---	\$59
12	C 12 MM	106N	\$66
14	C 14 MM	M30646-03	\$78
21	C 21 MM	M30646-04	\$108

CASINGS

OZTEC PART #	MASTER PART #	LIST PRICE
CAS 02 MM	M30647-01	\$66
CAS 05 MM	---	\$106
CAS 06 MM	50N	\$119
CAS 07 MM	M30647-02	\$135
CAS 10 MM	---	\$176
CAS 12 MM	70N	\$194
CAS 14 MM	M30647-03	\$229
CAS 21 MM	M30647-04	\$311

PENCIL CORES

LENGTH (ft.)	OZTEC PART #	MASTER PART #	LIST PRICE
2	CP 02 MM	M30646-01	\$25
5	CP 05 MM	---	\$36
7	CP 07 MM	M30646-02	\$46
10	CP 10 MM	---	\$59
14	CP 14 MM	M30646-03	\$78

PENCIL CASINGS

OZTEC PART #	MASTER PART #	LIST PRICE
CASP 02 MM	M30646-01	\$67
CASP 05 MM	---	\$106
CASP 07 MM	M30646-02	\$134
CASP 10 MM	---	\$176
CASP 14 MM	M30646-03	\$229

MIKASA TYPE

CORES

LENGTH (ft.)	OZTEC PART #	MIKASA PART #	LIST PRICE
3	C 03 MK - (M or F)	---	\$53
5	C 05 MK - F	---	\$60
7	C 07 MK - (M or F)	---	\$66
10	C 10 MK - (M or F)	---	\$90
14	C 14 MK - (M or F)	---	\$98
21	C 21 MK (M or F)	---	\$141

CASINGS

OZTEC PART #	MIKASA PART #	LIST PRICE
CAS 03 MK - (M or F)	---	\$92
CAS 05 MK - F	---	\$108
CAS 07 MK - (M or F)	---	\$124
CAS 10 MK - (M or F)	---	\$154
CAS 14 MK - (M or F)	---	\$201
CAS 21 MK (M or F)	---	\$273

STONE TYPE

CORES

LENGTH (ft.)	OZTEC PART #	STONE PART #	LIST PRICE
1	C 01 T	35783	\$32
3	C 03 T	35784	\$40
5	C 05 T	35785	\$47
7	C 07 T	35926	\$68
10	C 10 T	35927	\$76
14	C 14 T	35786	\$107
21	C 21 T	35787	\$122

CASINGS

OZTEC PART #	STONE PART #	LIST PRICE
CAS 01 T	35792	\$74
CAS 03 T	35793	\$80
CAS 05 T	35794	\$113
CAS 07 T	35928	\$134
CAS 10 T	35929	\$181
CAS 14 T	35795	\$228
CAS 21 T	35796	\$309

PENCIL CORES

LENGTH (ft.)	OZTEC PART #	STONE PART #	LIST PRICE
3	CP 03 T	35784	\$40
7	CP 07 T	35926	\$68
10	CP 10 T	35927	\$76
14	CP 14 T	35786	\$107

PENCIL CASINGS

OZTEC PART #	STONE PART #	LIST PRICE
CASP 03 T	35789	\$80
CASP 07 T	35788	\$134
CASP 10 T	35791	\$181
CASP 14 T	35790	\$228

STOW 382V TYPE

CORES

LENGTH (ft.)	OZTEC PART #	STOW PART #	LIST PRICE
2	C 02 SS	13827-502	\$60
5	C 05 SS	13827-505	\$66
7	C 07 SS	13827-507	\$76
10	C 10 SS	13827-510	\$110
14	C 14 SS	13827-514	\$144
21	C 21 SS	13827-521	\$180

CASINGS

OZTEC PART #	STOW PART #	LIST PRICE
CAS 02 SS	13820-502	\$93
CAS 05 SS	13820-505	\$134
CAS 07 SS	13820-507	\$159
CAS 10 SS	13820-510	\$194
CAS 14 SS	13820-514	\$267
CAS 21 SS	13820-521	\$338

STOW 314V TYPE

PENCIL CORES

LENGTH (ft.)	OZTEC PART #	STOW PART #	LIST PRICE
2	CP 02 ST	13319-502	\$42
5	CP 05 ST	13319-505	\$51
7	CP 07 ST	13319-507	\$57
10	CP 10 ST	13319-510	\$83
14	CP 14 ST	13319-514	\$101
21	CP 21 ST	13319-521	\$142

PENCIL CASINGS

OZTEC PART #	STOW PART #	LIST PRICE
CASP 02 ST	13610-502	\$91
CASP 05 ST	13610-505	\$134
CASP 07 ST	13610-507	\$153
CASP 10 ST	13610-510	\$180
CASP 14 ST	13610-514	\$259
CASP 21 ST	13610-521	\$321

VIBER TYPE

CORES

LENGTH (ft.)	OZTEC PART #	VIBER PART #	LIST PRICE
1	C 01 V	11091-1	\$24
3	C 03 V	11091-3	\$25
5	C 05 V	11091-5	\$36
7	C 07 V	11091-7	\$46
10	C 10 V	11091-10	\$57
14	C 14 V	11091-14	\$76
21	C 21 V	11091-21	\$108

CASINGS

OZTEC PART #	VIBER PART #	LIST PRICE
CAS 01 V	11152-1	\$71
CAS 03 V	11152-3	\$76
CAS 05 V	11152-5	\$106
CAS 07 V	11152-7	\$134
CAS 10 V	11152-10	\$175
CAS 14 V	11152-14	\$226
CAS 21 V	11152-21	\$311

WACKER TYPE

CORES

LENGTH (ft.)	OZTEC PART #	WACKER PART #	LIST PRICE
3	C 03 SSW	---	\$65
6-1/2	C 06 SSW	---	\$71
10	C 10 SSW	---	\$87
13	C 13 SSW	---	\$103
16-1/2	C 16 SSW	---	\$120
23	C 23 SSW	---	\$151

CASINGS

OZTEC PART #	WACKER PART #	LIST PRICE
CAS 03 SSW	---	\$106
CAS 06 SSW	---	\$130
CAS 10 SSW	---	\$156
CAS 13 SSW	---	\$200
CAS 16 SSW	---	\$265
CAS 23 SSW	---	\$290

PENCIL CORES

LENGTH (ft.)	OZTEC PART #	WACKER PART #	LIST PRICE
3	CP 03 SSW	---	\$65
6-1/2	CP 06 SSW	---	\$71
13	CP 13 SSW	---	\$103

PENCIL CASINGS

OZTEC PART #	WACKER PART #	LIST PRICE
CASP 03 SSW	---	\$110
CASP 06 SSW	---	\$129
CASP 13 SSW	---	\$200

WYCO 902 & 992 TYPES

CORES

LENGTH (ft.)	OZTEC PART #	WYCO PART #	LIST PRICE
2	C 02 WS	C-9202	\$24
5	C 05 WS	C-9205	\$38
7	C 07 WS	C-9207	\$45
10	C 10 WS	C-9210	\$57
14	C 14 WS	C-9214	\$76
20	C 20 WS	C-9220	\$106

CASINGS

OZTEC PART #	WYCO PART #	LIST PRICE
CAS 02 WS	K-9202	\$66
CAS 05 WS	K-9205	\$106
CAS 07 WS	K-9207	\$134
CAS 10 WS	K-9210	\$175
CAS 14 WS	K-9214	\$227
CAS 20 WS	K-9220	\$311

PENCIL CORES

LENGTH (ft.)	OZTEC PART #	WYCO PART #	LIST PRICE
2	CP 02 WS	C-9202	\$24
5	CP 05 WS	C-9205	\$38
7	CP 07 WS	C-9207	\$45
10	CP 10 WS	C-9210	\$57
14	CP 14 WS	C-9214	\$76
20	CP 20 WS	C-9220	\$106

PENCIL CASINGS

OZTEC PART #	WYCO PART #	LIST PRICE
CASP 02 WS	K-9102	\$66
CASP 05 WS	K-9105	\$106
CASP 07 WS	K-9107	\$134
CASP 10 WS	K-9110	\$175
CASP 14 WS	K-9114	\$227
CASP 20 WS	K-9120	\$311

WYCO 903 & 993 TYPES

CORES

LENGTH (ft.)	OZTEC PART #	WYCO PART #	LIST PRICE
2	C 02 WL	C-9202	\$24
5	C 05 WL	C-9205	\$38
7	C 07 WL	C-9207	\$45
10	C 10 WL	C-9210	\$57
14	C 14 WL	C-9214	\$76
20	C 20 WL	C-9220	\$106

CASINGS

OZTEC PART #	WYCO PART #	LIST PRICE
CAS 02 WL	K-9302	\$66
CAS 05 WL	K-9305	\$123
CAS 07 WL	K-9307	\$153
CAS 10 WL	K-9310	\$200
CAS 14 WL	K-9314	\$261
CAS 20 WL	K-9320	\$351

Limited Lifetime Warranty. Your satisfaction is guaranteed!

Over 40 years of developing and manufacturing concrete vibrators. OZTEC has earned a reputation of delivering the most reliable and productive equipment to consolidate concrete. If there is any defect in workmanship or materials, OZTEC will repair or replace the part at no charge, for the life of the equipment. This excludes failure caused by normal wear and tear of the product. Other exclusions may apply. Exclusion from Warranty considerations includes, but not limited to, the following conditions:

- Normal wear and tear.
- Abuse or misuse of equipment.
- Act of nature (God).
- Lack of maintenance (rinsing of Rubber Heads, changing brushes, filters, etc.).
- Use of after-market replacement parts and/or components.

All warranty claims must be shipped prepaid to OZTEC's factory with a copy of the OZTEC invoice, packing slip, or a copy of the dealer's invoice, along with the merchandise and the RGA number. An RGA number **MUST** be obtained directly from OZTEC **BEFORE** sending back the merchandise. To receive an RGA number, please contact OZTEC toll free at 800-533-9055 or at (516) 883-8857. Please note that equipment will not be accepted without an RGA number.

Ship all claims prepaid to:

OZTEC Industries, Inc.
Attn: Service Department
65 Channel Drive
Port Washington, NY 11050

OZTEC will not acknowledge any unauthorized repairs. OZTEC will not accept charges for parts or labor not performed at OZTEC's factory without previous written consent from OZTEC. Imitated but never equaled, OZTEC guarantees your satisfaction. Oztec...Simply The Best!

Returned Goods

A RGA number must be obtained directly from Oztec before returned goods are shipped. To receive a RGA number contact Oztec at 1-800-533-9055 and please have your PO number, Oztec Sales Order Number, or Oztec Invoice number ready. Please note that returns will not be excepted without a RGA number. All returns are subject to a 20% restocking fee. Returns and Exchanges will only be accepted up to one year from the date of purchase. The restocking fee will be waived for exchanges only.

Oztec reserves the right to change prices and discontinue products without notice.



OZTEC

OZTEC INDUSTRIES, INC.

65 Channel Drive • Port Washington, New York 11050

Tel: 516.883.8857 • 1.800.533.9055 • Fax: 516.883.7857 • Website: www.oztec.com